



740 N. KNOTT STREET • PORTLAND, OR 97227-2099
 OFFICE PHONE: 503.288.9393 • FAX: 503.288.3327
 TOLL-FREE: 1.888.288.3828
 www.accu-arc.com

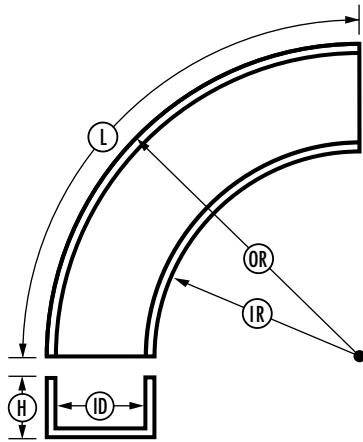
COMPANY NAME		JOB NAME	
PHONE	FAX	CONTACT NAME	
CUSTOMER PO		SPECIAL TAG	
DATE ORDERED		DATE REQUIRED	
		<input type="radio"/> DELIVERY <input type="radio"/> WILL CALL	

CURVED WALL TRACK

SHOP OFFICE USE ONLY

JOB NO	COST CODE
—	— —

PAGE OF



QTY	GAGE	LENGTH	ID	HEIGHT	INSIDE RADIUS	OUTSIDE RADIUS

SHOP OFFICE USE ONLY

<input type="radio"/> HVAC SHOP <input type="radio"/> WELDING SHOP <input type="radio"/> SHIPPING DEPARTMENT	QUALITY CONTROL	W.S.# _____
	CHECKED BY _____	DATE _____
	SHIPPING AREA _____	SIGNED _____