

***METU*[®] DUCT ACCESSORIES FOR BETTER HVAC SOLUTIONS**



Product Catalog

STREIMER 

TABLE OF CONTENTS

ACCESS DOORS

For Rectangular Duct and Other Flat Surfaces

- RD Access Doors **Page 1**
- RD Access Door Adapter Kit for Grease Applications **Page 5**
- GX Access Doors **Page 6**
- LX Access Doors (with lever) **Page 9**
- IRD Access Doors **Page 12**
- IRD-3PL Access Doors **Page 16**

For Round and Oval Duct

- RRD Round Access Doors **Page 20**
- IRRD-3PL Access Doors **Page 26**
- IRRD-DW Access Doors **Page 31**

DRAIN FITTINGS

- ST-G Drain Fittings with Wide Funnel **Page 32**
- ST-K Drain Fittings with Narrow Funnel **Page 33**
- ST-R Drain Fittings for Round Ducts **Page 34**

HANGERS & DUCT SUPPORTS

- AL Support Brackets **Page 36**
- MB Angle Brackets **Page 37**
- BA Circular Duct Supports **Page 38**
- SI Isolation Hangers **Page 39**

CIRCULAR CONNECTORS

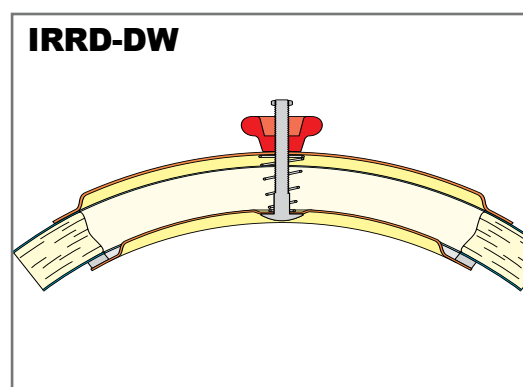
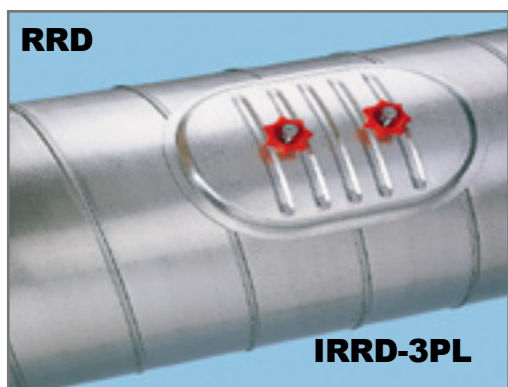
- MF Flange System **Page 40**
- SR Joining Clips **Page 42**
- MU Overcollar **Page 44**

ACCESSORIES

- DuctShield **Page 46**
- SE Nut Runner **Page 47**

Exclusively manufactured and distributed in the United States through: **METU-STREIMER®**
740 N Knott St, Portland, OR 97227 / Phone: (503) 288-9393 / Fax: (503) 288-3327

info@metu-streimer.com / metu-streimer.com



RD ACCESS DOORS

**METU
SYSTEM**

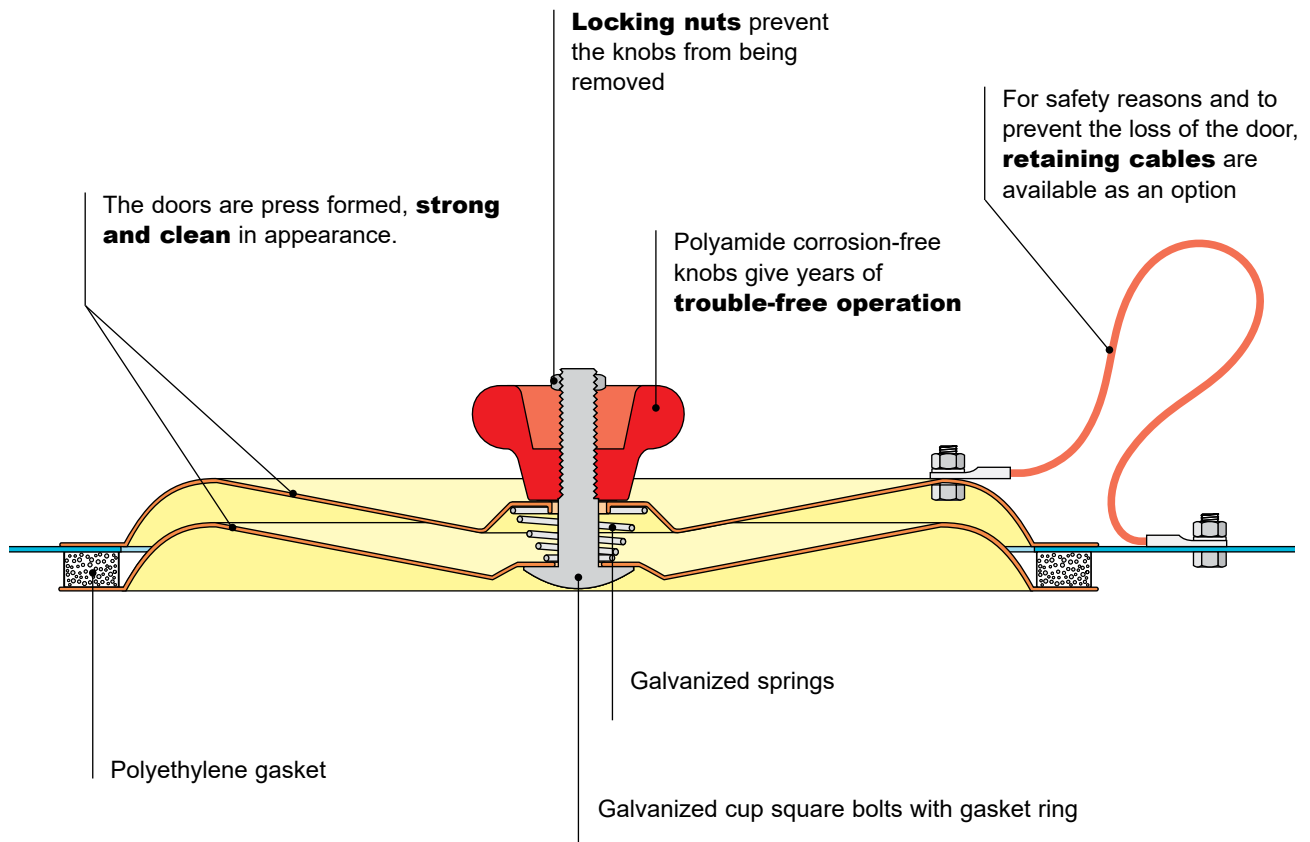
FOR RECTANGULAR DUCT AND OTHER FLAT SURFACES



- **Easy and rapid installation.**
- **Duct opening is reinforced by being clamped between two metal covers.**
- **Two knobs enable the easy handling of the door.**
- **Available in (11) sizes and multiple versions.**

Illustration:

Standard RD Access Door with Polyethylene Gasket

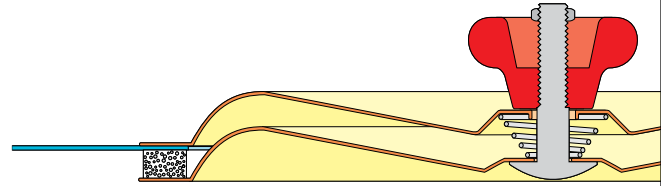


AVAILABLE OPTIONS

Standard version:

**RD Access Door
with polyethylene (PE) gasket
and polyamide knobs**

Operating temperature from -94°F (-70°C)
to +158°F (+70°C)
Grease and oil resistant

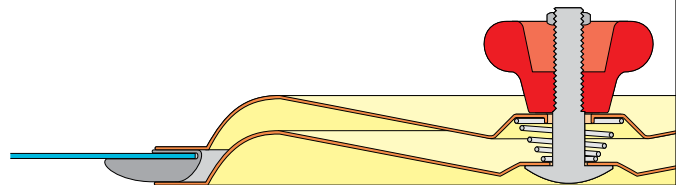


Additional Safety:

Also available is the special version
with self-adhesive rubber edge molding
which protects from possible injuries
due to the sharp edges of the opening:

**RD Access Door with SKK
with self-adhesive rubber edge molding
and polyamide knobs**

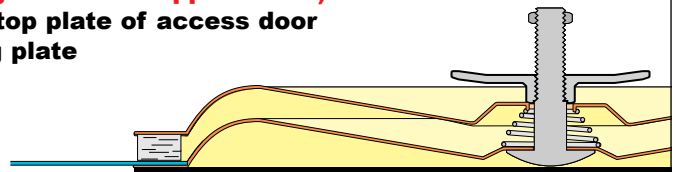
Operating temperature from -94°F (-70°C)
to +212°F (+100°C)



For operating temperatures above +158°C (+70°C) version:

**RD Access Door HT (High Temperature and grease duct applications)
with ceramic wool gasket that is bonded to top plate of access door
steel knobs and 16 gauge black iron backing plate**

Resists temperatures up to approx. 2012°F (+1100°C)



Note: Ceramic wool gaskets should be inspected after each opening, and replaced if damaged.

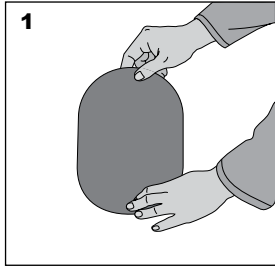
All versions are available in galvanized steel, stainless steel and aluminum.

In case of higher requirements regarding the resistance to abrasion (dust collection systems for instance) or for improved aerodynamic properties, we also offer access doors with a 3rd plate which is welded to the inside panel of the door. Since this 3rd plate also serves insulation purposes, this access door is described as IRD-3PL under "IRD-3PL Access Doors".

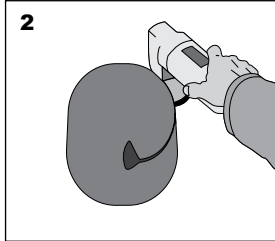


- More information about the rubber edge molding (SKK), other gasket materials, water-tightness, knobs, and fire resistance can be provided upon request.

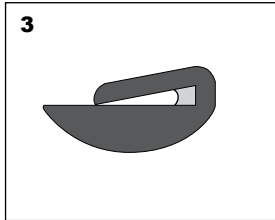
INSTALLATION



Apply the self-adhesive template on the duct wall at the desired position.

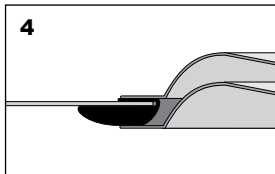


Cut the opening following the edge of the template.

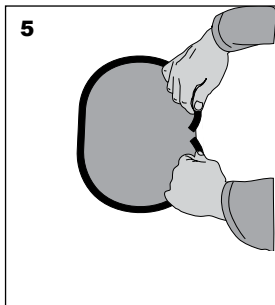


For Standard Installation Proceed to Step 6...

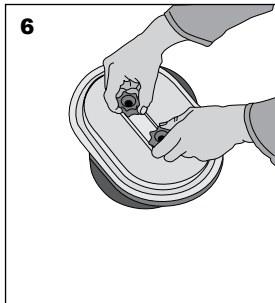
Only for access doors ordered with SKK rubber edge molding: The SKK molding is fitted with pre-injected glue. It can be applied on duct walls up to 14 Gauge.



Only for access doors ordered with SKK rubber edge molding: The thicker lip of the SKK must be inside the duct.



Only for access doors ordered with SKK rubber edge molding: Apply the SKK molding so that the duct wall enters as deeply as possible into the pocket. Both ends should meet at a straight section, pressing slightly against each other but without overlapping.



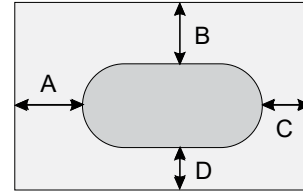
Door installation: turn the knobs until they hit the stops and insert the inner door panel inside the opening at an angle. Then straighten the door, pull it lightly to center it and tighten the knobs.



Template cut-out dimensions are available upon request.

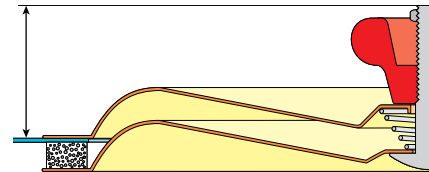
INSTALLATION DIMENSIONS:

Please be aware of the following opening position limitations:



- A = min. 2.0"
- B = min. 2.0"
- C = min. 0.75"
- D = min. 0.75"

Distance between ductwall and knob when Access Door knobs are tightened:



- RD-84 = approx. 1-3/8"
- RD-128 = approx. 1-3/8"
- RD-126 = approx. 2"
- RD-128 = approx. 2"
- RD-168 = approx. 2"
- RD-1612 = approx. 2-1/4"
- RD-2012 = approx. 2-1/4"
- RD-2016 = approx. 2-5/8"
- RD-2416 = approx. 2-5/8"
- RD-2420 = approx. 2-7/8"
- RD-2820 = approx. 2-7/8"

AIR-TIGHTNESS:

Correctly installed RD Access Doors are air-tight up to 20" w.g.

RD ACCESS DOORS

ORDER RANGE

RD Access Doors (Standard versions)		RD Access Doors with SKK (With SKK rubber edge molding)		RD Access Doors HT (For operating temp. above +158°F)	
Catalog No.	Description	Catalog No.	Description	Catalog No.	Description
(7 x 3 in)		(7 x 3 in)		(7 x 3 in)	
RD-73GA	Galvanized	RDSKK-73GA	Galvanized	RDHT-73GA	Galvanized
RD-73T304	Stainless Type 304	RDSKK-73T304	Stainless Type 304	RDHT-73T304	Stainless Type 304
RD-73AL	Aluminum	RDSKK-73AL	Aluminum	RDHT-73AL	Aluminum
(8 x 4 in)		(8 x 4 in)		(8 x 4 in)	
RD-84GA	Galvanized	RDSKK-84GA	Galvanized	RDHT-84GA	Galvanized
RD-84T304	Stainless Type 304	RDSKK-84T304	Stainless Type 304	RDHT-84T304	Stainless Type 304
RD-84AL	Aluminum	RDSKK-84AL	Aluminum	RDHT-84AL	Aluminum
RD-84T316	Stainless Type 316	RDSKK-84T316	Stainless Type 316	RDHT-84T316	Stainless Type 316
(12 x 6 in)		(12 x 6 in)		(12 x 6 in)	
RD-126GA	Galvanized	RDSKK-126GA	Galvanized	RDHT-126GA	Galvanized
RD-126T304	Stainless Type 304	RDSKK-126T304	Stainless Type 304	RDHT-126T304	Stainless Type 304
RD-126AL	Aluminum	RDSKK-126AL	Aluminum	RDHT-126AL	Aluminum
(12 x 8 in)		(12 x 8 in)		(12 x 8 in)	
RD-128GA	Galvanized	RDSKK-128GA	Galvanized	RDHT-128GA	Galvanized
RD-128T304	Stainless Type 304	RDSKK-128T304	Stainless Type 304	RDHT-128T304	Stainless Type 304
RD-128AL	Aluminum	RDSKK-128AL	Aluminum	RDHT-128AL	Aluminum
RD-128T316	Stainless Type 316	RDSKK-128T316	Stainless Type 316	RDHT-128T316	Stainless Type 316
(16 x 8 in)		(16 x 8 in)		(16 x 8 in)	
RD-168GA	Galvanized	RDSKK-168GA	Galvanized	RDHT-168GA	Galvanized
RD-168T304	Stainless Type 304	RDSKK-168T304	Stainless Type 304	RDHT-168T304	Stainless Type 304
RD-168AL	Aluminum	RDSKK-168AL	Aluminum	RDHT-168AL	Aluminum
(16 x 12 in)		(16 x 12 in)		(16 x 12 in)	
RD-1612GA	Galvanized	RDSKK-1612GA	Galvanized	RDHT-1612GA	Galvanized
RD-1612T304	Stainless Type 304	RDSKK-1612T304	Stainless Type 304	RDHT-1612T304	Stainless Type 304
RD-1612AL	Aluminum	RDSKK-1612AL	Aluminum	RDHT-1612AL	Aluminum
RD-1612T316	Stainless Type 316	RDSKK-1612T316	Stainless Type 316	RDHT-1612T316	Stainless Type 316
(20 x 12 in)		(20 x 12 in)		(20 x 12 in)	
RD-2012GA	Galvanized	RDSKK-2012GA	Galvanized	RDHT-2012GA	Galvanized
RD-2012T304	Stainless Type 304	RDSKK-2012T304	Stainless Type 304	RDHT-2012T304	Stainless Type 304
RD-2012AL	Aluminum	RDSKK-2012AL	Aluminum	RDHT-2012AL	Aluminum
(20 x 16 in)		(20 x 16 in)		(20 x 16 in)	
RD-2016GA	Galvanized	RDSKK-2016GA	Galvanized	RDHT-2016GA	Galvanized
RD-2016T304	Stainless Type 304	RDSKK-2016T304	Stainless Type 304	RDHT-2016T304	Stainless Type 304
RD-2016AL	Aluminum	RDSKK-2016AL	Aluminum	RDHT-2016AL	Aluminum
RD-2016T316	Stainless Type 316	RDSKK-2016T316	Stainless Type 316	RDHT-2016T316	Stainless Type 316
(24 x 16 in)		(24 x 16 in)		(24 x 16 in)	
RD-2416GA	Galvanized	RDSKK-2416GA	Galvanized	RDHT-2416GA	Galvanized
RD-2416T304	Stainless Type 304	RDSKK-2416T304	Stainless Type 304	RDHT-2416T304	Stainless Type 304
RD-2416AL	Aluminum	RDSKK-2416AL	Aluminum	RDHT-2416AL	Aluminum
(24 x 20 in)		(24 x 20 in)		(24 x 20 in)	
RD-2420GA	Galvanized	RDSKK-2420GA	Galvanized	RDHT-2420GA	Galvanized
RD-2420T304	Stainless Type 304	RDSKK-2420T304	Stainless Type 304	RDHT-2420T304	Stainless Type 304
RD-2420AL	Aluminum	RDSKK-2420AL	Aluminum	RDHT-2420AL	Aluminum
RD-2420T316	Stainless Type 316	RDSKK-2420T316	Stainless Type 316	RDHT-2420T316	Stainless Type 316
(28 x 20 in)		(28 x 20 in)		(28 x 20 in)	
RD-2820GA	Galvanized	RDSKK-2820GA	Galvanized	RDHT-2820GA	Galvanized
RD-2820T304	Stainless Type 304	RDSKK-2820T304	Stainless Type 304	RDHT-2820T304	Stainless Type 304
RD-2820AL	Aluminum	RDSKK-2820AL	Aluminum	RDHT-2820AL	Aluminum
RD-2820T316	Stainless Type 316	RDSKK-2820T316	Stainless Type 316	RDHT-2820T316	Stainless Type 316



- The RD access doors made of aluminum are fitted with Stainless Type 304 bolts, nuts and springs.
- The RD access doors made of Type 316 are fitted with Type 304 bolts, nuts and springs.
- The high temperature aluminum versions are fitted with Stainless Type 304 steel knobs.
- All imperial units are approximations.

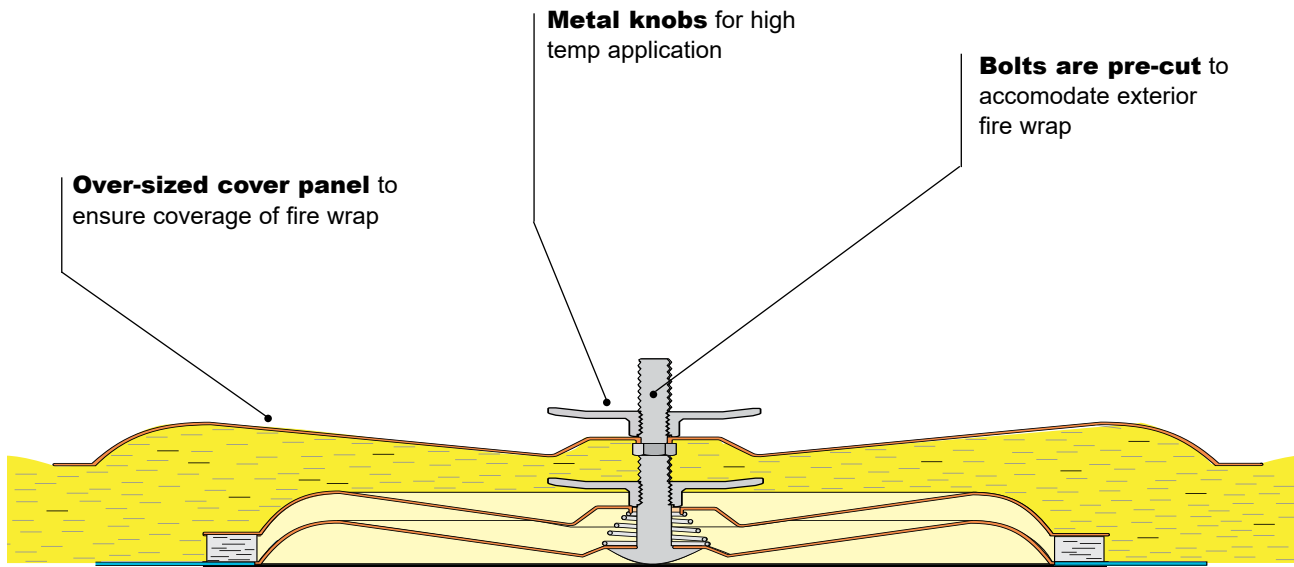
ADAPTER KIT FOR GREASE DUCT APPLICATIONS



- Provides needed visible access to grease duct.
- Presized to fit standard fire wrap.
- Oversized cover panel insures adequate fire wrap coverage.
- Kit provides for quick access to grease duct.

Illustration:

GD Adaptor Kit Cover Panel for Fire Wrapped Duct



Standard HT Grease Duct Door

FOR RECTANGULAR DUCT AND OTHER FLAT SURFACES



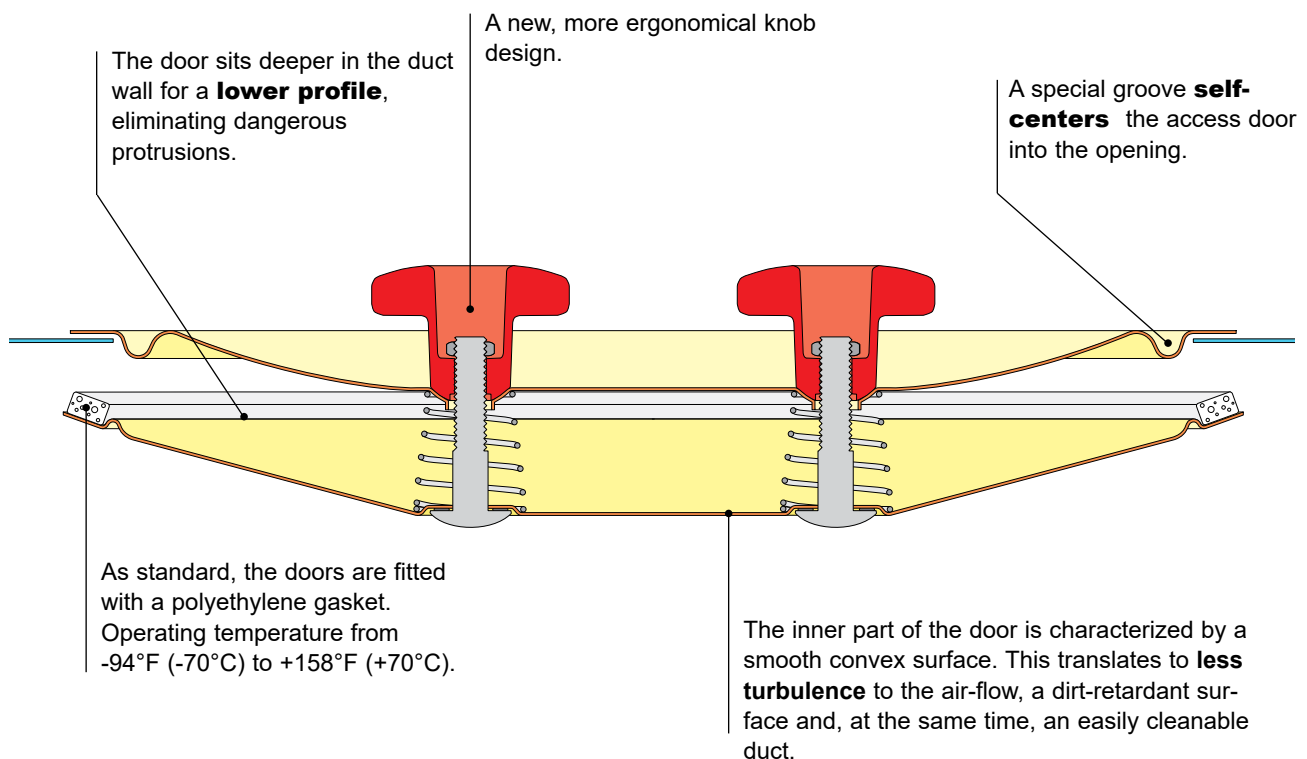
Illustration:
**Standard GX Access Door
with Polyethylene Gasket**

International



Patents

- **Newly designed knobs eliminate the hazard associated with brushing up against protruding bolts inherent with most typical doors.**
- **Special groove significantly improves installation by self centering door over the opening.**
- **Ideal when space is restricted, or when a smoother exterior look is desired as the door sits deeper in the duct reducing exterior protrusions.**
- **Smooth interior surface.**

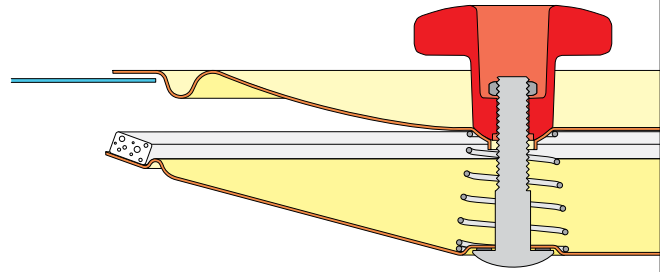


AVAILABLE OPTIONS

Standard version:

GX Access Door with polyethylene (PE) gasket and POM-C* knobs

Operating temperature from -94°F (-70°C) to +158°F (+70°C)
Grease and oil resistant

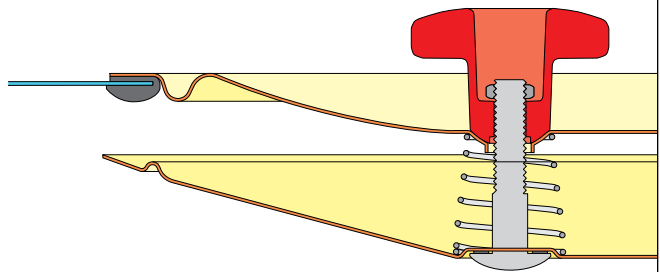


Additional Safety:

Also available is the special version with self-adhesive rubber edge molding which protects from possible injuries due to the sharp edges of the opening.

GX Access Door with SKK with self-adhesive rubber edge molding and POM-C* knobs

Operating temperature from -94°F (-70°C) to +212°F (+100°C)



Oiltight Access Doors:

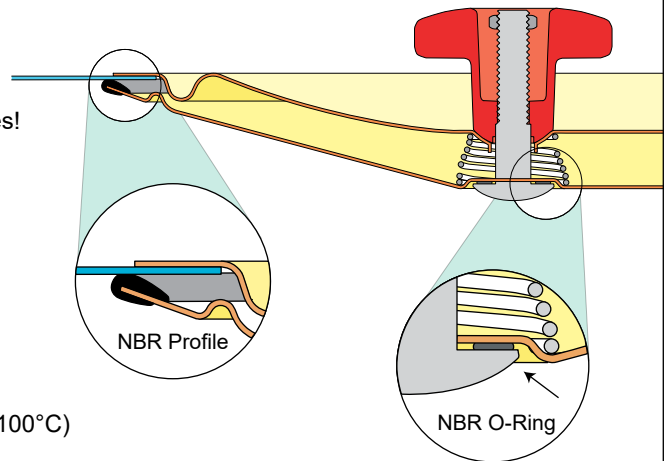
GX Access Doors fitted with NBR rubber are oil-tight up to + 20" w.g.

The oil-tightness is not guaranteed for negative pressures!

The NBR (Nitrile NBR Rubber) is generally resistant to oils. We however recommend that you check for compatibility with the oils you will be using.

GX Access Door with NBR with NBR rubber gasket and POM-C* knobs

Operating temperature from -13°F (-25° C) to +212°F (+100°C)

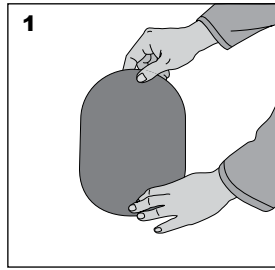


* POM-C = polyoxymethylene copolymer

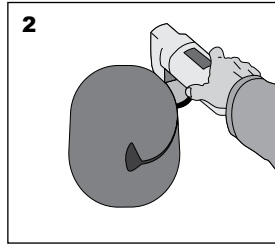
ORDER RANGE

GX Access Doors (Standard versions)		GX Access Doors with SKK (With SKK rubber edge molding)		GX Access Doors with NBR (oil-tight)	
Catalog No.	Description	Catalog No.	Description	Catalog No.	Description
	(8 x 4 in)		(8 x 4 in)		(8 x 4 in)
GX-84GA	Galvanized	GXSKK-84GA	Galvanized with SKK	GXNBR-84GA	Galvanized with NBR
	(12 x 8 in)		(12 x 8 in)		(12 x 8 in)
GX-128GA	Galvanized	GXSKK-128GA	Galvanized with SKK	GXNBR-128GA	Galvanized with NBR
	(16 x 12 in)		(16 x 12 in)		(16 x 12 in)
GX-1612GA	Galvanized	GXSKK-1612GA	Galvanized with SKK	GXNBR-1612GA	Galvanized with NBR

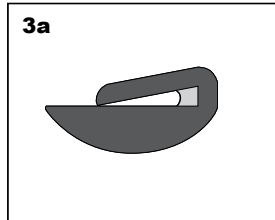
INSTALLATION



Apply the self-adhesive template on the duct wall at the desired position.

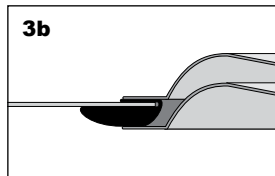


Cut the opening following the edge of the template.

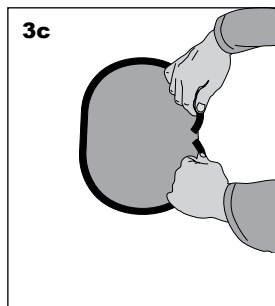


Only for access doors ordered with SKK rubber edge molding:

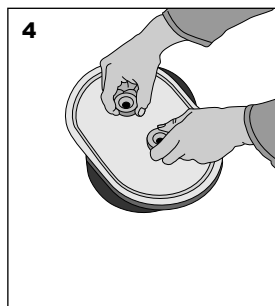
The SKK molding is fitted with pre-injected glue. It can be applied on duct walls up to 14 Gauge.



The thicker lip of the SKK must be inside the duct.



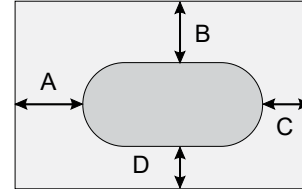
Apply the SKK molding so that the duct wall enters as deeply as possible into the pocket. Both ends should meet at a straight section, pressing slightly against each other but without overlapping.



Door installation: turn the knobs until they hit the stops and insert the inner door panel inside the opening at an angle. Then straighten the door and push it lightly against the duct wall: It will automatically position itself correctly. Then tighten the knobs.

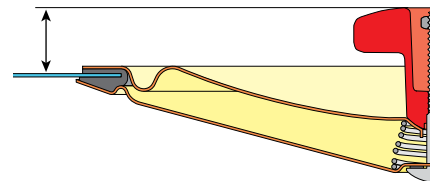
INSTALLATION DIMENSIONS

Please be aware of the following opening position limitations:



- A = min. 2.0"
- B = min. 2.0"
- C = min. 0.75"
- D = min. 0.75"

Distance between duct-wall and the upper edge of the knob when the door is closed:



- GX-84 = approx. 7/8"
- GX-128 = approx. 7/8"
- GX-1612= approx. 5/8"

AIR-TIGHTNESS

Correctly installed GX Access Doors are air-tight up to 20" w.g.

LX QUICK ACCESS DOORS

**METU
SYSTEM**

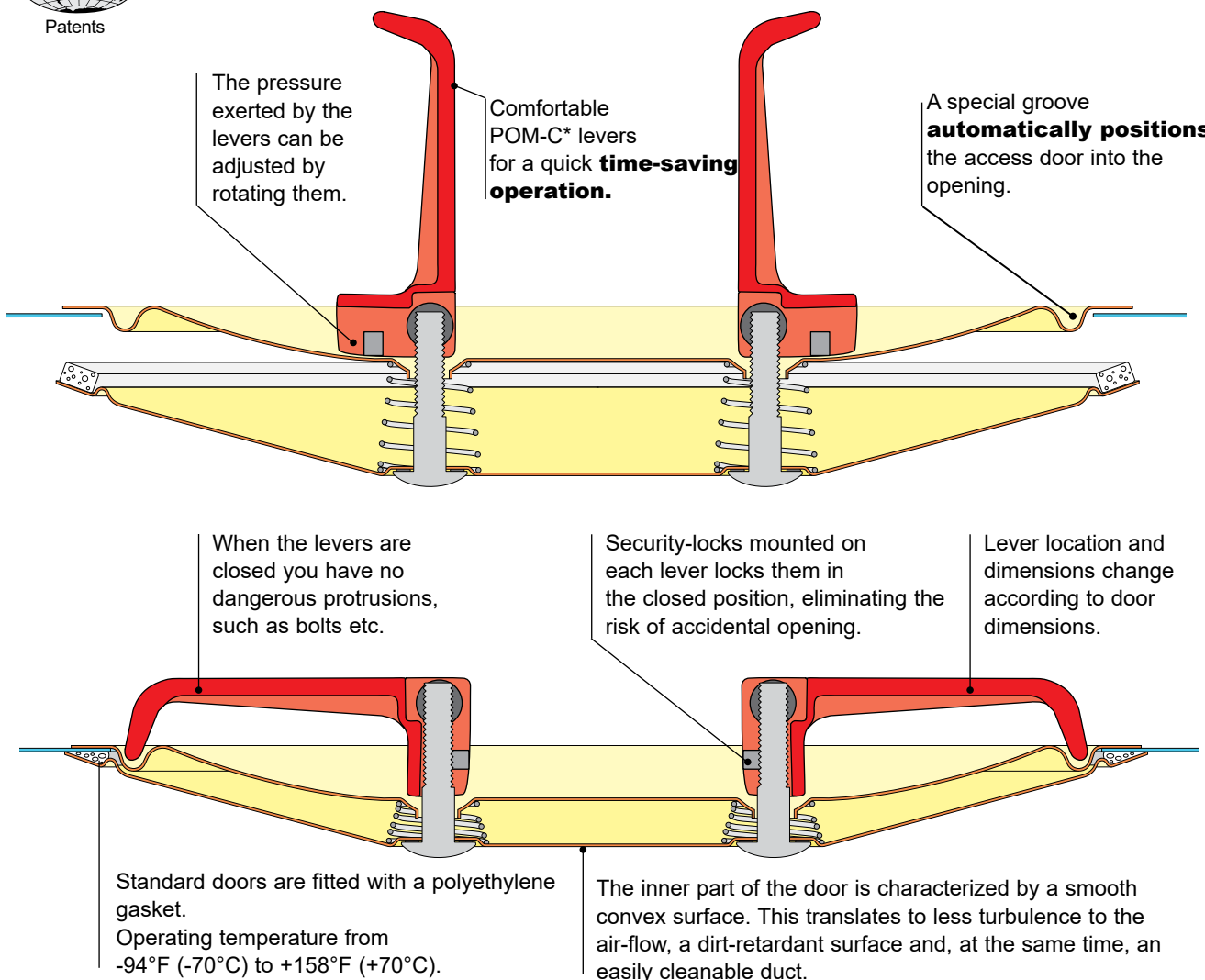
FOR RECTANGULAR DUCT AND OTHER FLAT SURFACES



Illustration:
**Standard LX Access Door
with Polyethylene Gasket**



- The addition of two levers insure fast and easy removal and installation.
- A special groove automatically positions the door.
- Ideal when space is restricted, or when safety concerns require a flush mount.
- Security-locks eliminate the risk of accidental opening.

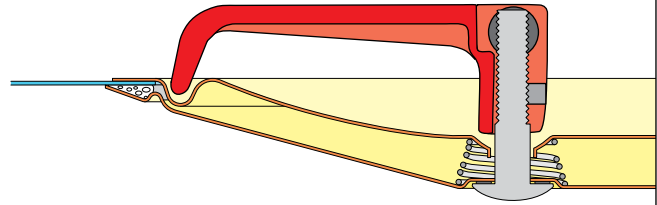


AVAILABLE OPTIONS

Standard version:

**LX Access Door
with polyethylene (PE) gasket
and POM-C* levers**

Operating temperature from -94°F (-70°C)
to +158°F (+70°C)
Grease and oil resistant

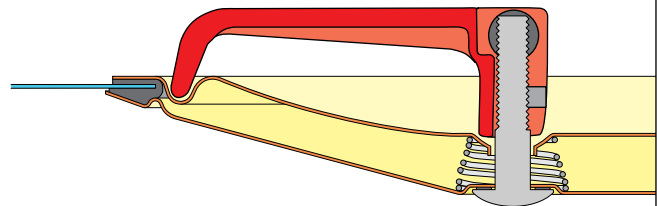


Additional Safety:

Also available is the special version
with self-adhesive rubber edge molding
which protects from possible injuries
due to the sharp edges of the opening:

**LX Access Door with SKK
with self-adhesive rubber edge molding
and POM-C* levers**

Operating temperature from -94°F (-70°C) to +212°F (+100°C)



* **POM-C = polyoxymethylene copolymer**

PERFORMANCE OF LX ACCESS DOORS

Aerodynamics

The inner part of the door is characterized
by a smooth convex surface. This
translates to less turbulence to the air-flow,
a dirt-retardant surface and an easily
cleanable duct (picture on the right).



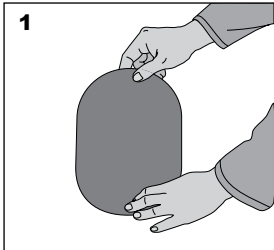
Air-tightness:

Correctly installed LX Access Doors are
air-tight up to 20" w.g.

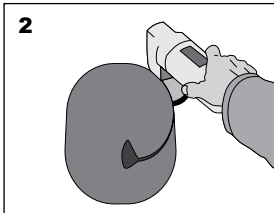
ORDER RANGE

LX Access Doors (Standard versions)		LX Access Doors with SKK (With SKK rubber edge molding)	
Catalog No.	Description	Catalog No.	Description
	(12 x 8 in)		(12 x 8 in)
LX-128GA	Galvanized	LXSKK-128GA	Galvanized with SKK
	(16 x 12 in)		(16 x 12 in)
LX-1612GA	Galvanized	LXSKK-1612GA	Galvanized with SKK

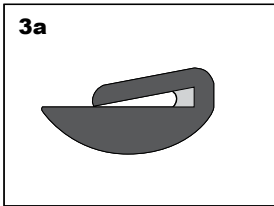
INSTALLATION



Apply the self-adhesive template on the duct wall at the desired position.



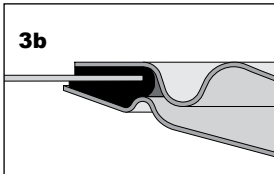
Cut the opening following the edge of the template.



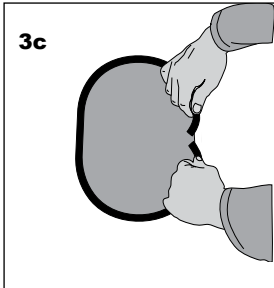
For Standard Installation Proceed to Step 4...

Only for access doors ordered with SKK rubber edge molding:

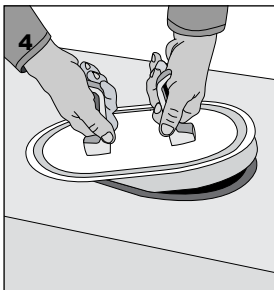
The SKK molding is fitted with pre-injected glue. It can be applied on duct walls up to 14 Gauge.



The thicker lip of the SKK must be inside the duct.

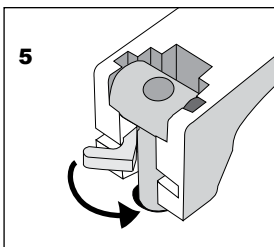


Apply the SKK molding so that the duct wall enters as deeply as possible into the pocket. Both ends should meet at a straight section, pressing slightly against each other but without overlapping.



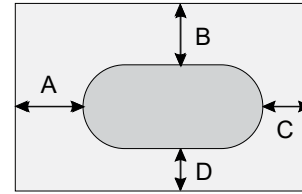
Door installation:

Open both levers and insert the inner door panel inside the opening at an angle. Then straighten the door and push it lightly against the duct wall: it will automatically position itself correctly. Close levers simultaneously until they lock. If the levers can be closed too easily (the gasket is not compressed enough), open the levers and turn them once 360° clockwise. If the levers are hard to close (they do not lock completely), open the levers and turn them once 360° counter-clockwise. Then switch both security locks (refer to picture 5) into the "locked" position.



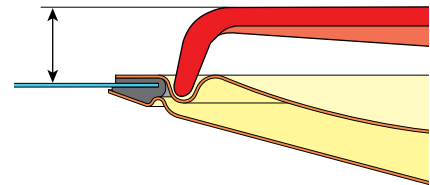
INSTALLATION DIMENSIONS

Please be aware of the following opening position limitations:



- A = min. 2.0"
- B = min. 2.0"
- C = min. 0.75"
- D = min. 0.75"

Distance between duct-wall and the upper edge of the lever when the door is closed:



- LX-128 = approx. 3/4"
- LX-1612 = approx. 9/16"

AIR-TIGHTNESS

Correctly installed LX Access Doors are air-tight up to 20" w.g.

IRD ACCESS DOORS

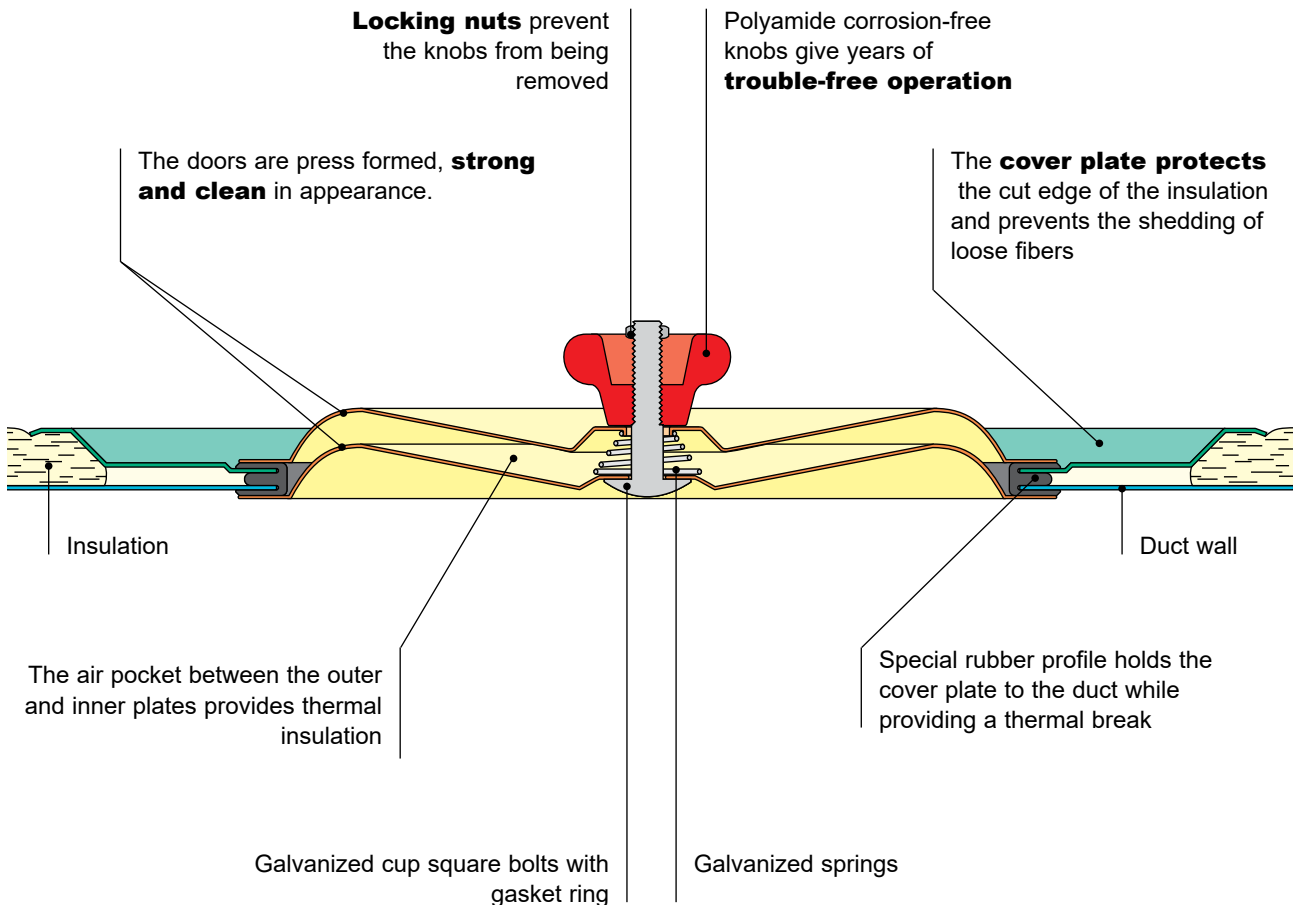
FOR FLAT SURFACES WITH EXTERNAL INSULATION



- **Quick and easy installation.**
- **Sturdy cover plate covers the cut edge of external insulation.**
- **The cover plate is secured by an easy to install gasket designed to provide a thermal break.**
- **An air pocket between the outer and inner plates provides thermal insulation.**

Illustration:

Standard IRD Type Access Door with EPDM Rubber Molding.

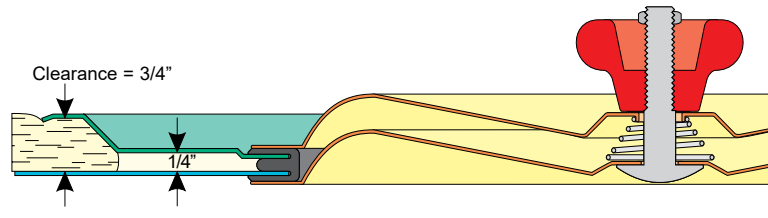


IRD VERSIONS

Standard version:

IRD-1 Insulated Access Doors

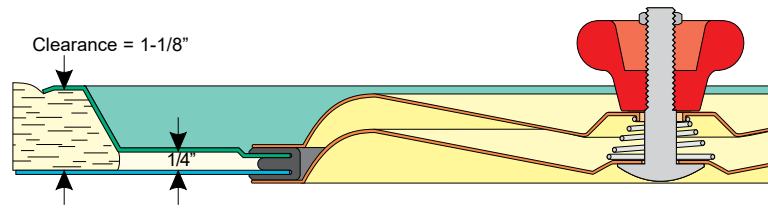
For 1" thick external insulation



Standard version:

IRD-1.5 Insulated Access Doors

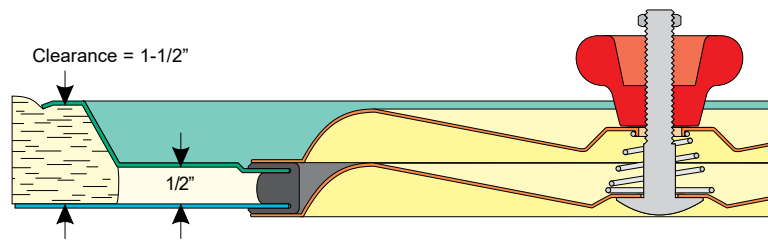
For 1-1/2" thick external insulation



Standard version:

IRD-2 Insulated Access Doors

For 2" thick external insulation

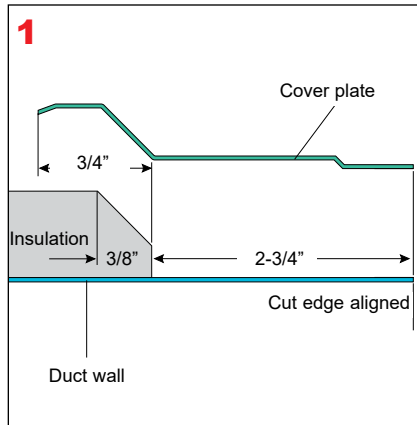


All IRD versions have an **operating temperature range** between -94°F (-70°C) and +158°F (+70°C). All versions are available in galvanized steel, stainless steel and aluminum.



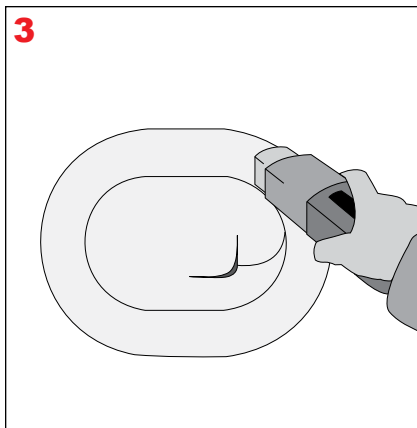
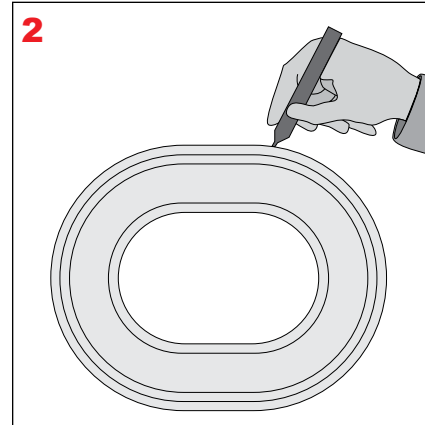
- More information about the rubber profile and the polyamide knobs provided upon request.

INSTALLATION



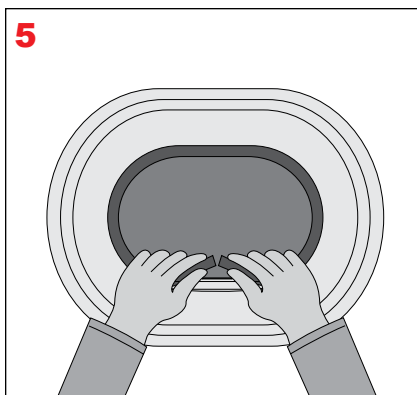
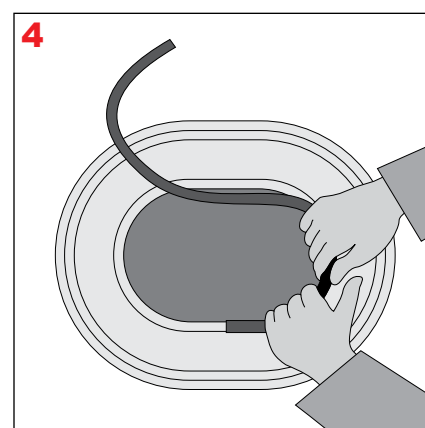
◀ Cut the insulation according to the depicted illustration. If the insulation is relatively dense, the cut edge should be tapered approximately $3/8$ ".

▶ To cut the insulation use the cover plate as a template and mark around the outer edge. Then cut out the insulation approximately $3/4$ " inside the mark.



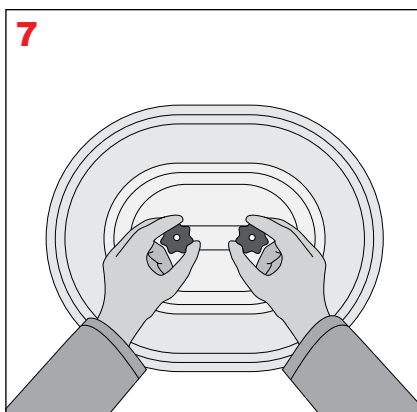
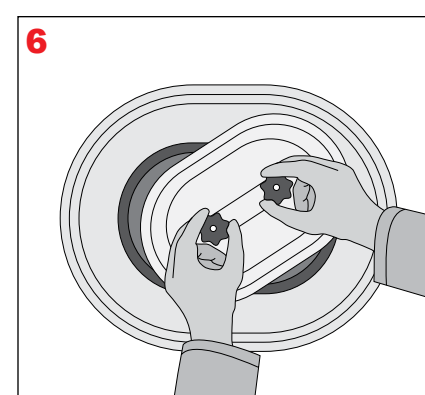
◀ Use the cover plate to make the duct opening by marking around the inner edge and cutting carefully following this mark.

▶ The cover plate is secured by a rubber profile. Begin fitting at a straight section, the duct wall in one groove of the rubber and the cover plate in the other.

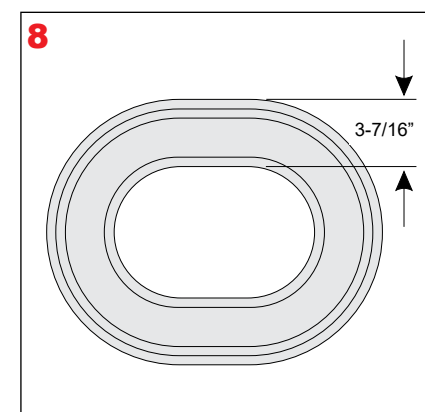


◀ The rubber profile is supplied at the correct length for each door size. Join the rubber ends as illustrated, and push them into place.

▶ To install the Access Door unscrew both knobs fully and, using both hands, place the door in the opening at an angle.



◀ Then turn it straight and pull it slightly out to align. Finish by tightening the knobs.



IRD ACCESS DOORS

ORDER RANGE

IRD-1 Access Door			IRD-1.5 Access Door			IRD-2 Access Door		
SKU	Catalog No.	Description	SKU	Catalog No.	Description	SKU	Catalog No.	Description
(8 x 4 in)			(8 x 4 in)			(8 x 4 in)		
D02A-1001	IRD-84GA-1	Galvanized	D02A-1002	IRD-84GA-1.5	Galvanized	D02A-1003	IRD-84GA-2	Galvanized
D02B-1001	IRD-84T304-1	Stainless*	D02B-1002	IRD-84T304-1.5	Stainless*	D02B-1003	IRD-84T304-2	Stainless*
D02C-1001	IRD-84AL-1	Aluminum	D02C-1002	IRD-84AL-1.5	Aluminum	D02C-1003	IRD-84AL-2	Aluminum
(12 x 8 in)			(12 x 8 in)			(12 x 8 in)		
D02A-1004	IRD-128GA-1	Galvanized	D02A-1005	IRD-128GA-1.5	Galvanized	D02A-1006	IRD-128GA-2	Galvanized
D02B-1004	IRD-128T304-1	Stainless*	D02B-1005	IRD-128T304-1.5	Stainless*	D02B-1006	IRD-128T304-2	Stainless*
D02C-1004	IRD-128AL-1	Aluminum	D02C-1005	IRD-128AL-1.5	Aluminum	D02C-1006	IRD-128AL-2	Aluminum
(16 x 8 in)			(16 x 8 in)			(16 x 8 in)		
D02A-1007	IRD-168GA-1	Galvanized	D02A-1008	IRD-168GA-1.5	Galvanized	D02A-1009	IRD-168GA-2	Galvanized
D02B-1007	IRD-168T304-1	Stainless*	D02B-1008	IRD-168T304-1.5	Stainless*	D02B-1009	IRD-168T304-2	Stainless*
D02C-1007	IRD-168AL-1	Aluminum	D02C-1008	IRD-168AL-1.5	Aluminum	D02C-1009	IRD-168AL-2	Aluminum
(16 x 12 in)			(16 x 12 in)			(16 x 12 in)		
D02A-1010	IRD-1612GA-1	Galvanized	D02A-1011	IRD-1612GA-1.5	Galvanized	D02A-1012	IRD-1612GA-2	Galvanized
D02B-1010	IRD-1612T304-1	Stainless*	D02B-1011	IRD-1612T304-1.5	Stainless*	D02B-1012	IRD-1612T304-2	Stainless*
D02C-1010	IRD-1612AL-1	Aluminum	D02C-1011	IRD-1612AL-1.5	Aluminum	D02C-1012	IRD-1612AL-2	Aluminum
(20 x 12 in)			(20 x 12 in)			(20 x 12 in)		
D02A-1013	IRD-2012GA-1	Galvanized	D02A-1014	IRD-2012GA-1.5	Galvanized	D02A-1015	IRD-2016GA-2	Galvanized
D02B-1013	IRD-2012T304-1	Stainless*	D02B-1014	IRD-2012T304-1.5	Stainless*	D02B-1015	IRD-2016T304-2	Stainless*
D02C-1013	IRD-2012AL-1	Aluminum	D02C-1014	IRD-2012AL-1.5	Aluminum	D02C-1015	IRD-2016AL-2	Aluminum
(20 x 16 in)			(20 x 16 in)			(20 x 16 in)		
D02A-1016	IRD-2016GA-1	Galvanized	D02A-1017	IRD-2016GA-1.5	Galvanized	D02A-1018	IRD-2016GA-2	Galvanized
D02B-1016	IRD-2016T304-1	Stainless*	D02B-1017	IRD-2016T304-1.5	Stainless*	D02B-1018	IRD-2016T304-2	Stainless*
D02C-1016	IRD-2016AL-1	Aluminum	D02C-1017	IRD-2016AL-1.5	Aluminum	D02C-1018	IRD-2016AL-2	Aluminum
(24 x 16 in)			(24 x 16 in)			(24 x 16 in)		
D02A-1019	IRD-2416GA-1	Galvanized	D02A-1020	IRD-2416GA-1.5	Galvanized	D02A-1021	IRD-2416GA-2	Galvanized
D02B-1019	IRD-2416T304-1	Stainless*	D02B-1020	IRD-2416T304-1.5	Stainless*	D02B-1021	IRD-2416T304-2	Stainless*
D02C-1019	IRD-2416AL-1	Aluminum	D02C-1020	IRD-2416AL-1.5	Aluminum	D02C-1021	IRD-2416AL-2	Aluminum
(24 x 20 in)			(24 x 20 in)			(24 x 20 in)		
D02A-1022	IRD-2420GA-1	Galvanized	D02A-1023	IRD-2420GA-1.5	Galvanized	D02A-1024	IRD-2420GA-2	Galvanized
D02B-1022	IRD-2420T304-1	Stainless*	D02B-1023	IRD-2420T304-1.5	Stainless*	D02B-1024	IRD-2420T304-2	Stainless*
D02C-1022	IRD-2420AL-1	Aluminum	D02C-1023	IRD-2420AL-1.5	Aluminum	D02C-1024	IRD-2420AL-2	Aluminum
(28 x 20 in)			(28 x 20 in)			(28 x 20 in)		
D02A-1025	IRD-2820GA-1	Galvanized	D02A-1026	IRD-2820GA-1.5	Galvanized	D02A-1027	IRD-2820GA-2	Galvanized
D02B-1025	IRD-2820T304-1	Stainless*	D02B-1026	IRD-2820T304-1.5	Stainless*	D02B-1027	IRD-2820T304-2	Stainless*
D02C-1025	IRD-2820AL-1	Aluminum	D02C-1026	IRD-2820AL-1.5	Aluminum	D02C-1027	IRD-2820AL-2	Aluminum

*The IRD Stainless access doors are Type 304.



- The IRD access doors made of aluminum are fitted with Stainless Type 304 bolts, nuts and springs.
- All imperial units are approximations.

IRD-3PL ACCESS DOORS

**METU
SYSTEM**

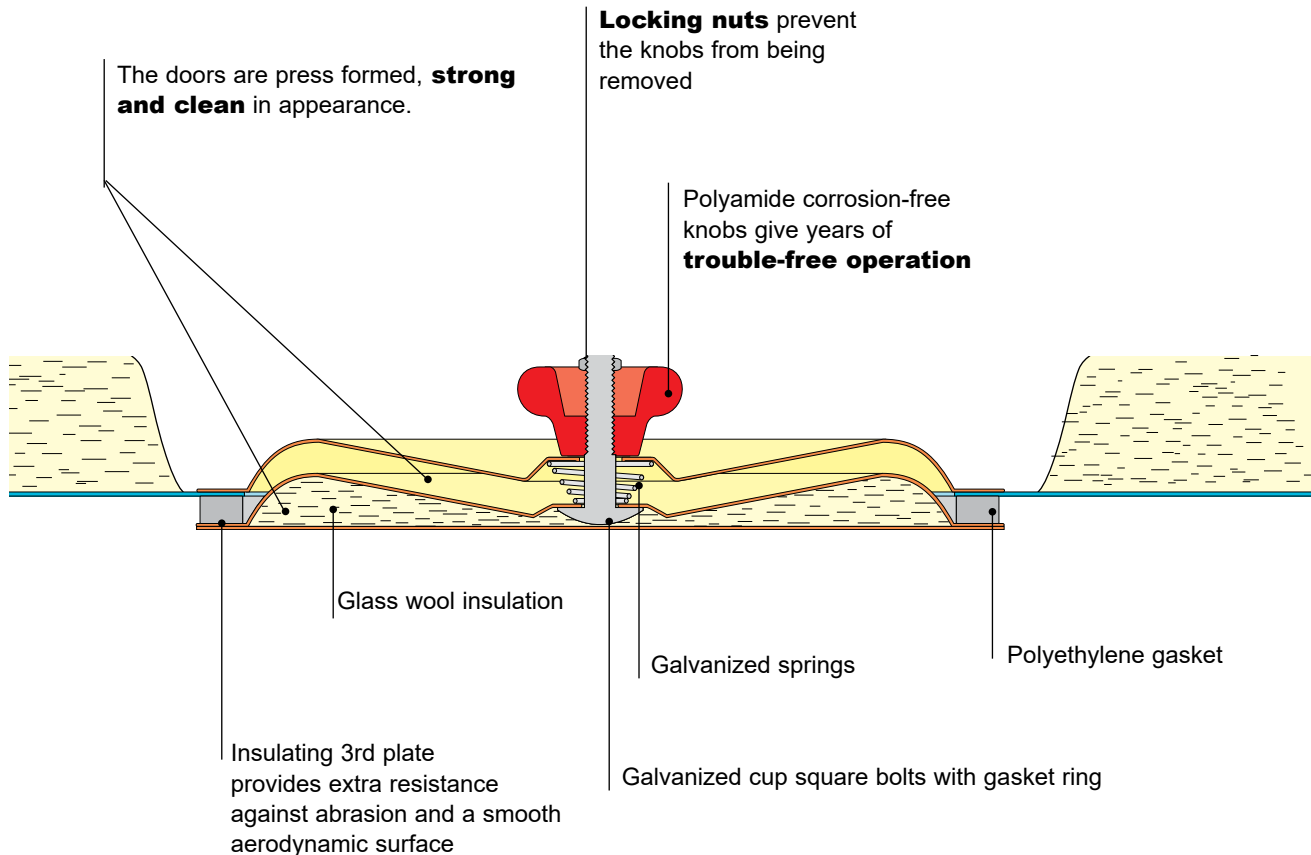
FOR SINGLE WALL RECTANGULAR DUCT AND OTHER FLAT SURFACES



- **Easy and rapid installation.**
- **Duct opening is reinforced by being clamped between two metal covers.**
- **Insulation provides thermal protection.**
- **3rd plate provides resistance to abrasion when used in material conveyance systems.**
- **3rd plate improves aerodynamic properties.**

Illustration:

Standard IRD-3PL Access Door with Polyethylene Gasket

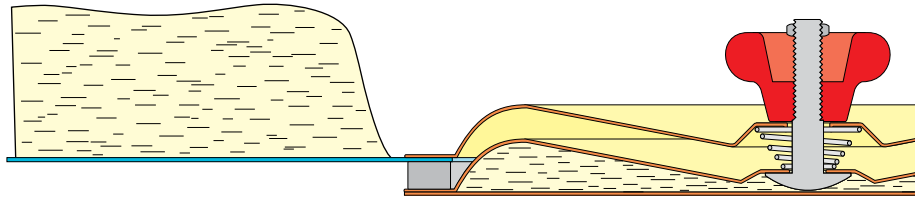


AVAILABLE OPTIONS

Standard version:

IRD-3PL Access Door with polyethylene (PE) gasket and polyamide knobs

Operating temperature
from -94°F (-70°C) to
+158°F (+70°C)
Grease and oil resistant

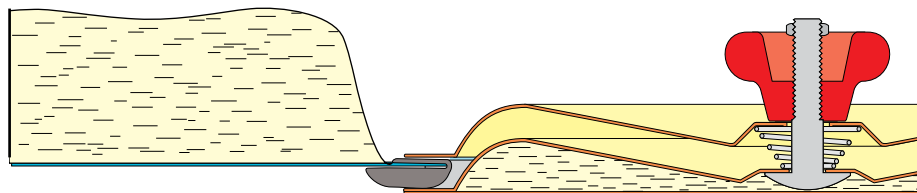


Additional Safety:

Also available is the special version
with self-adhesive rubber edge molding
which protects from possible injuries
due to the sharp edges of the opening:

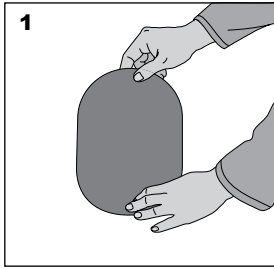
IRD-3PL Access Door with SKK with self-adhesive rubber edge molding and polyamide knobs

Operating temperature from -94°F (-70°C) to +212°F (+100°C)

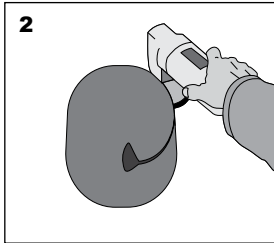


All versions are available in galvanized steel, stainless steel and aluminum.

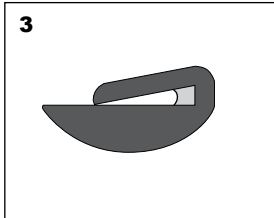
INSTALLATION



Apply the self-adhesive template on the duct wall at the desired position.

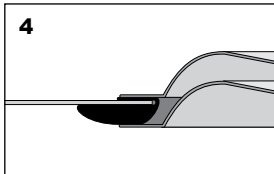


Cut the opening following the edge of the template.

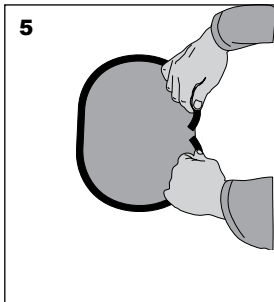


**For Standard Installation
Proceed to Step 6...**

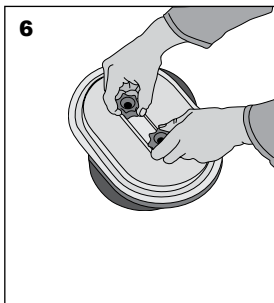
Only for access doors ordered with SKK rubber edge molding:
The SKK molding is fitted with pre-injected glue. It can be applied on duct walls up to 14 Gauge.



Only for access doors ordered with SKK rubber edge molding:
The thicker lip of the SKK must be inside the duct.



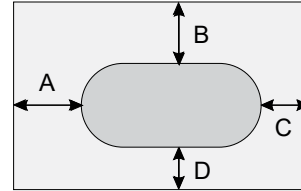
Only for access doors ordered with SKK rubber edge molding:
Apply the SKK molding so that the duct wall enters as deeply as possible into the pocket. Both ends should meet at a straight section, pressing slightly against each other but without overlapping.



Door installation: turn the knobs until they hit the stops and insert the inner door panel inside the opening at an angle. Then straighten the door, pull it lightly to center it and tighten the knobs.

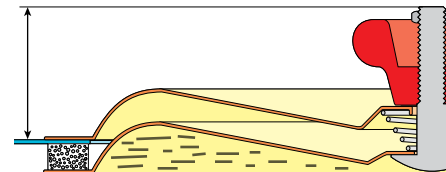
INSTALLATION DIMENSIONS:

Please be aware of the following opening position limitations:



A = min. 2.0"
B = min. 2.0"
C = min. 0.75"
D = min. 0.75"

Distance between ductwall and knob when Access Door knobs are tightened:



IRD3PL-73 = approx. 1-3/8"
IRD3PL-84 = approx. 1-3/8"
IRD3PL-126 = approx. 2"
IRD3PL-128 = approx. 2"
IRD3PL-168 = approx. 2"
IRD3PL-1612 = approx. 2-1/4"
IRD3PL-2012 = approx. 2-1/4"
IRD3PL-2016 = approx. 2-5/8"
IRD3PL-2416 = approx. 2-5/8"
IRD3PL-2420 = approx. 2-7/8"
IRD3PL-2820 = approx. 2-7/8"

AIR-TIGHTNESS:

Correctly installed IRD-3PL Access Doors are air-tight up to 20" w.g.

IRD-3PL ACCESS DOORS

ORDER RANGE

IRD-3PL Access Doors (Standard versions)		IRD-3PL Access Doors with SKK (With SKK rubber edge molding)	
Catalog No.	Description	Catalog No.	Description
(7 x 3 in)		(7 x 3 in)	
IRD3PL-73GA	Galvanized	IRDSKK3PL-73GA	Galvanized
IRD3PL-73T304	Stainless Type 304	IRDSKK3PL-73T304	Stainless Type 304
IRD3PL-73AL	Aluminum	IRDSKK3PL-73AL	Aluminum
(8 x 4 in)		(8 x 4 in)	
IRD3PL-84GA	Galvanized	IRDSKK3PL-84GA	Galvanized
IRD3PL-84T304	Stainless Type 304	IRDSKK3PL-84T304	Stainless Type 304
IRD3PL-84AL	Aluminum	IRDSKK3PL-84AL	Aluminum
IRD3PL-84T316	Stainless Type 316	IRDSKK3PL-84T316	Stainless Type 316
(12 x 6 in)		(12 x 6 in)	
IRD3PL-126GA	Galvanized	IRDSKK3PL-126GAGalvanized	
IRD3PL-126T304	Stainless Type 304	IRDSKK3PL-126T304	Stainless Type 304
IRD3PL-126AL	Aluminum	IRDSKK3PL-126AL	Aluminum
(12 x 8 in)		(12 x 8 in)	
IRD3PL-128GA	Galvanized	IRDSKK3PL-128GAGalvanized	
IRD3PL-128T304	Stainless Type 304	IRDSKK3PL-128T304	Stainless Type 304
IRD3PL-128AL	Aluminum	IRDSKK3PL-128AL	Aluminum
IRD3PL-128T316	Stainless Type 316	IRDSKK3PL-128T316	Stainless Type 316
(16 x 8 in)		(16 x 8 in)	
IRD3PL-168GA	Galvanized	IRDSKK3PL-168GAGalvanized	
IRD3PL-168T304	Stainless Type 304	IRDSKK3PL-168T304	Stainless Type 304
IRD3PL-168AL	Aluminum	IRDSKK3PL-168AL	Aluminum
(16 x 12 in)		(16 x 12 in)	
IRD3PL-1612GA	Galvanized	IRDSKK3PL-1612GA	Galvanized
IRD3PL-1612T304	Stainless Type 304	IRDSKK3PL-1612T304	Stainless Type 304
IRD3PL-1612AL	Aluminum	IRDSKK3PL-1612AL	Aluminum
IRD3PL-1612T316	Stainless Type 316	IRDSKK3PL-1612T316	Stainless Type 316
(20 x 12 in)		(20 x 12 in)	
IRD3PL-2012GA	Galvanized	IRDSKK3PL-2012GA	Galvanized
IRD3PL-2012T304	Stainless Type 304	IRDSKK3PL-2012T304	Stainless Type 304
IRD3PL-2012AL	Aluminum	IRDSKK3PL-2012AL	Aluminum
(20 x 16 in)		(20 x 16 in)	
IRD3PL-2016GA	Galvanized	IRDSKK3PL-2016GA	Galvanized
IRD3PL-2016T304	Stainless Type 304	IRDSKK3PL-2016T304	Stainless Type 304
IRD3PL-2016AL	Aluminum	IRDSKK3PL-2016AL	Aluminum
IRD3PL-2016T316	Stainless Type 316	IRDSKK3PL-2016T316	Stainless Type 316
(24 x 16 in)		(24 x 16 in)	
IRD3PL-2416GA	Galvanized	IRDSKK3PL-2416GA	Galvanized
IRD3PL-2416T304	Stainless Type 304	IRDSKK3PL-2416T304	Stainless Type 304
IRD3PL-2416AL	Aluminum	IRDSKK3PL-2416AL	Aluminum
(24 x 20 in)		(24 x 20 in)	
IRD3PL-2420GA	Galvanized	IRDSKK3PL-2420GA	Galvanized
IRD3PL-2420T304	Stainless Type 304	IRDSKK3PL-2420T304	Stainless Type 304
IRD3PL-2420AL	Aluminum	IRDSKK3PL-2420AL	Aluminum
IRD3PL-2420T316	Stainless Type 316	IRDSKK3PL-2420T316	Stainless Type 316
(28 x 20 in)		(28 x 20 in)	
IRD3PL-2820GA	Galvanized	IRDSKK3PL-2820GA	Galvanized
IRD3PL-2820T304	Stainless Type 304	IRDSKK3PL-2820T304	Stainless Type 304
IRD3PL-2820AL	Aluminum	IRDSKK3PL-2820AL	Aluminum
IRD3PL-2820T316	Stainless Type 316	IRDSKK3PL-2820T316	Stainless Type 316

The IRD-3PL access doors made of aluminum are fitted with Stainless Type 304 bolts, nuts and springs.

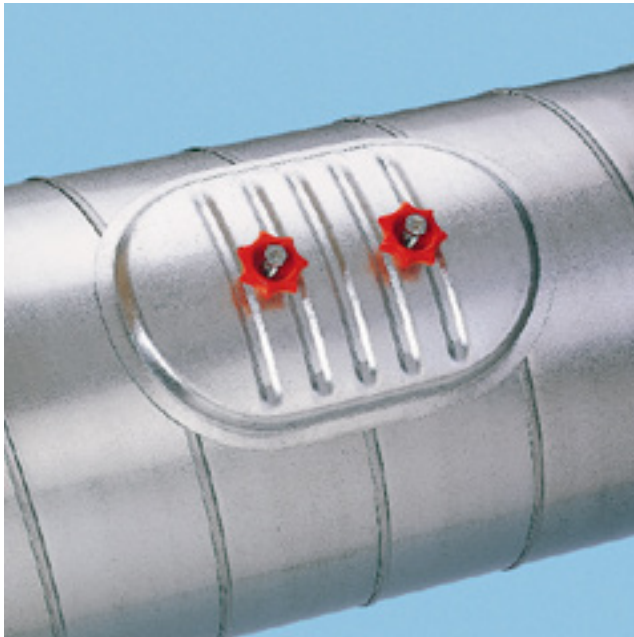


The IRD-3PL access doors made of Type 316 are fitted with Type 304 bolts, nuts and springs.

All imperial units are approximations.

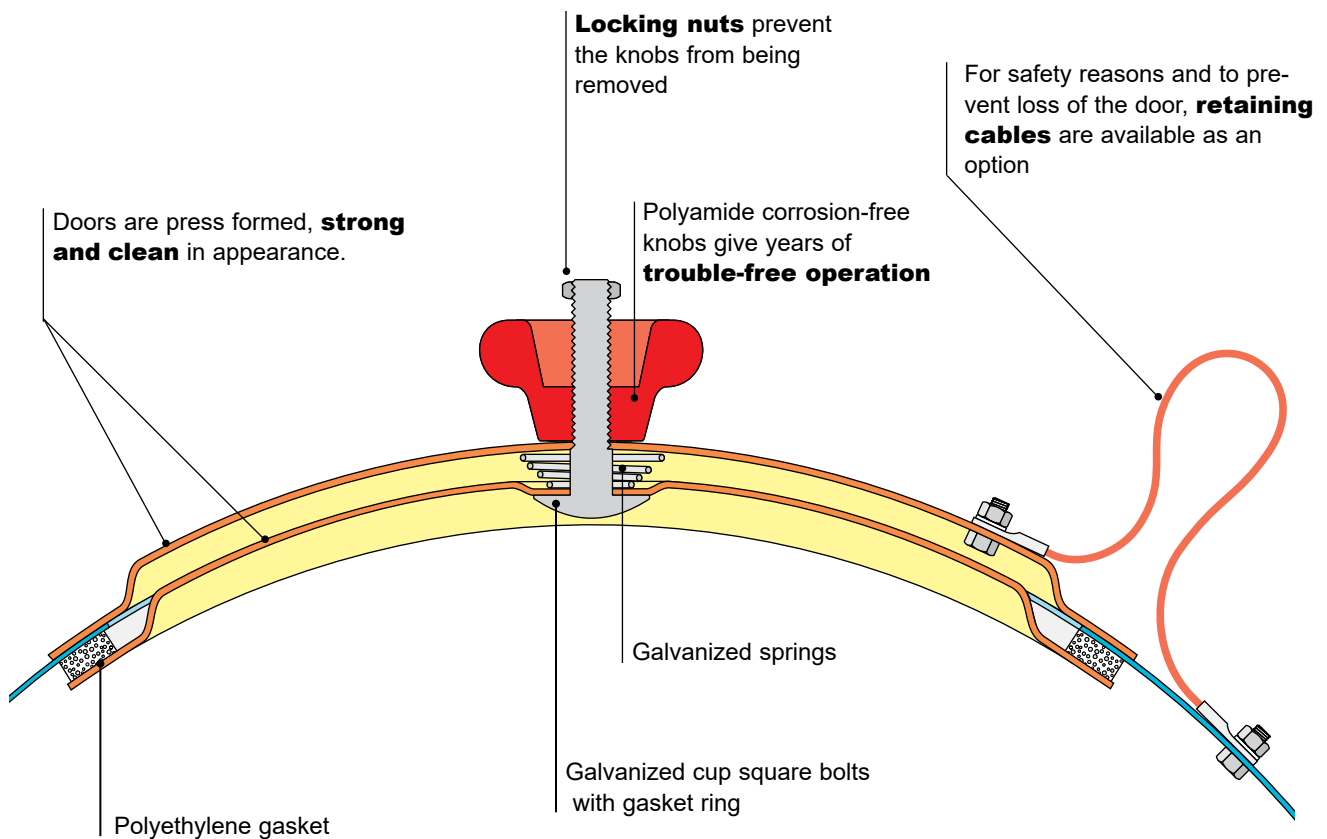
RRD ACCESS DOORS

FOR ROUND AND OVAL DUCT



- **Easy and rapid installation.**
- **Duct opening is reinforced by being clamped between two metal covers.**
- **Two knobs allow the easy handling of the doors.**
- **Available in several sizes and multiple versions.**

Illustration:
**Standard RRD Access Door
with Polyethylene Gasket**

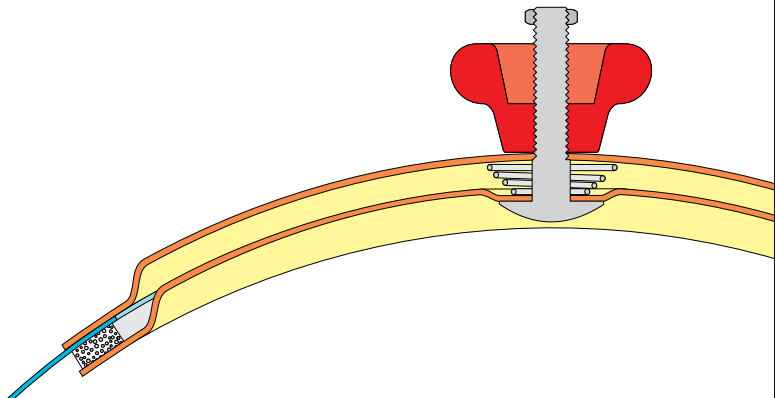


AVAILABLE OPTIONS

Standard version:

RRD Access Door with polyethylene (PE) gasket and polyamide knobs

Operating temperature from -94°F (-70°C)
to +158°F (+70°C)
Grease and oil resistant

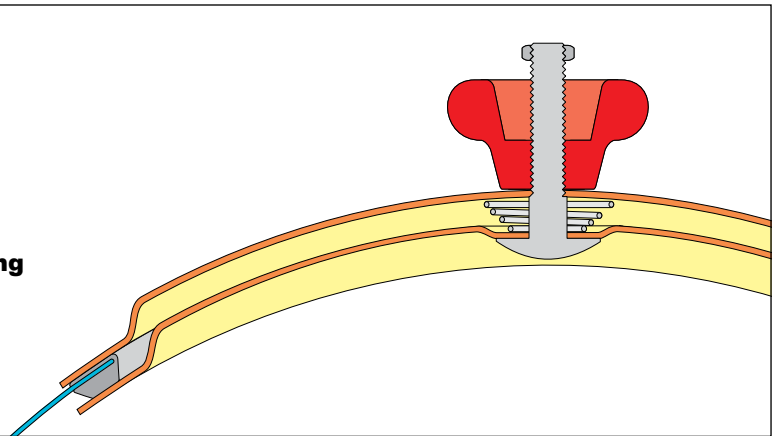


Additional Safety:

Also available is the special version
with self-adhesive rubber edge molding
which protects from possible injuries
due to the sharp edges of the opening:

RRD Access Door with SKK with self-adhesive rubber edge molding and polyamide knobs

Operating temperature from -94°F (-70°C)
to +212°F (+100°C)

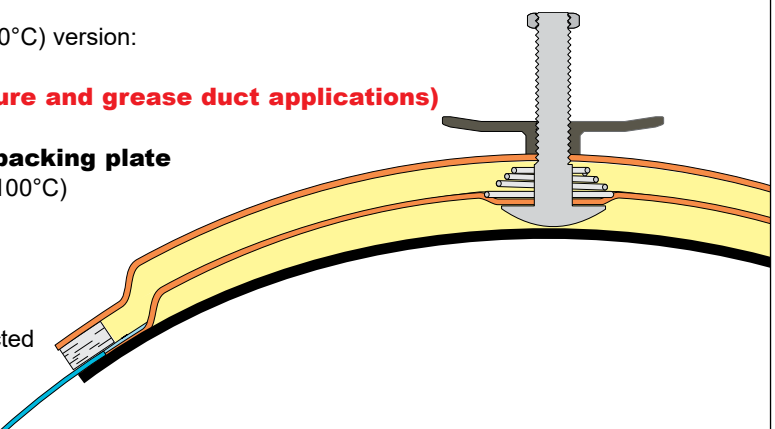


For operating temperatures above +158°F (+70°C) version:

RRD Access Door HT (High Temperature and grease duct applications) with ceramic wool gasket, steel knobs and 16 gauge black iron backing plate

Resists temperatures up to approx. 2012°F (1100°C)

Note: Ceramic wool gaskets should be inspected
after each opening, and replaced if damaged.



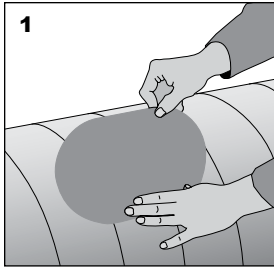
All versions are available in galvanized steel, stainless steel and aluminum.

In case of higher requirements regarding the resistance to abrasion (dust collection systems for instance) or for improved aerodynamic properties, we also offer access doors with a 3rd plate which is welded to the inside panel of the door. Since this 3rd plate also serves insulation purposes, this access door is described as IRRD-3PL under "IRRD-3PL Insulated Access Doors".

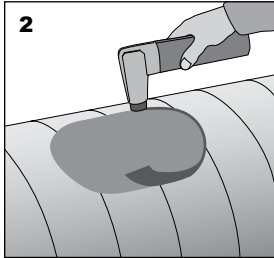


- More information about the rubber edge molding (SKK), other gasket materials, water-tightness, knobs, and fire resistance can be provided upon request.

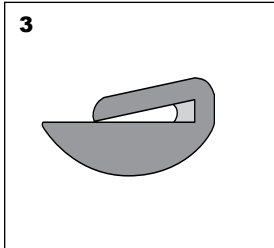
RRD INSTALLATION



1 Apply the self-adhesive template on the duct wall at the desired position.

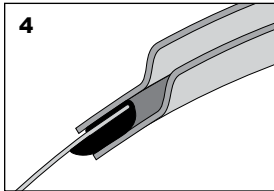


2 Cut the opening following the edge of the template.

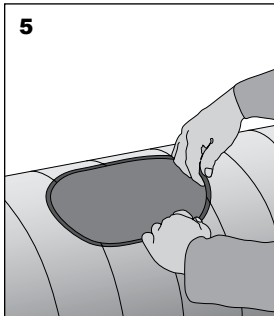


**For Standard Installation
Proceed to Step 6...**

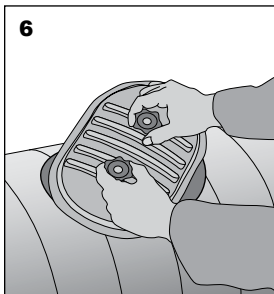
Only for access doors ordered with SKK rubber edge molding:
The SKK molding is fitted with pre-injected glue. It can be applied on duct walls up to 14 Gauge.



Only for access doors ordered with SKK rubber edge molding:
The thicker lip of the SKK must be inside the duct.



Only for access doors ordered with SKK rubber edge molding:
Apply the SKK molding so that the duct wall enters as deeply as possible in the pocket. Both ends should meet at a straight section, pressing slightly against each other but without overlapping.

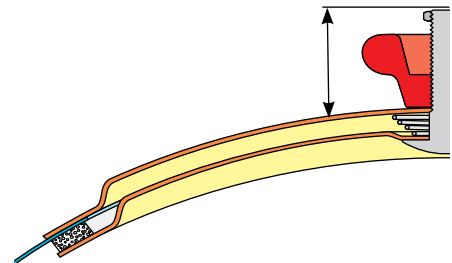


Door Installation: Turn the knobs until they hit the stops and insert the inner door panel inside the opening at an angle. Then straighten the door, pull it lightly to center it and tighten the knobs.



Template cut-out dimensions are available upon request.

Distance between ductwall and knob when Access Door knobs are tightened:



RRD-84 = approx. 1-3/8"
RRD-128 = approx. 1-3/8"
RRD-126 = approx. 2"
RRD-128 = approx. 2"
RRD-168 = approx. 2"
RRD-1612 = approx. 2-1/4"
RRD-2012 = approx. 2-1/4"
RRD-2016 = approx. 2-5/8"
RRD-2416 = approx. 2-5/8"
RRD-2420 = approx. 2-7/8"
RRD-2820 = approx. 2-7/8"

AIR-TIGHTNESS:

Correctly installed RRD Access Doors are air-tight up to 20" w.g.

RRD ACCESS DOORS

ORDER RANGE

(RRD access doors for larger duct Ø available upon request)

RRD Access Doors (Standard versions)					
Catalog No.	Description	for duct-Ø in inches Standard	Catalog No.	Description	for duct-Ø in inches Standard
(7 x 3 in)			(20 x 16 in)		
RRD-73GA-5	Galvanized	5"	RRD-2016GA-22	Galvanized	22"
RRD-73T304-5	Stainless Type 304	5"	RRD-2016GA-24-26	Galvanized	24"-26"
RRD-73AL-5	Aluminum	5"	RRD-2016GA-28	Galvanized	28"
(8 x 4 in)			RRD-2016GA-30-32	Galvanized	30"-32"
RRD-84GA-6	Galvanized	6"	RRD-2016GA-34-36	Galvanized	34"-36"
RRD-84GA-7	Galvanized	7"	RRD-2016GA-38-40	Galvanized	38"-40"
RRD-84GA-8	Galvanized	8"	RRD-2016GA-42-46	Galvanized	42"-46"
RRD-84GA-10	Galvanized	10"	RRD-2016GA-48-50	Galvanized	48"-50"
RRD-84T304-6	Stainless Type 304	6"	RRD-2016GA-52-58	Galvanized	52"-58"
RRD-84T304-7	Stainless Type 304	7"	RRD-2016GA-60-70	Galvanized	60"-70"
RRD-84T304-8	Stainless Type 304	8"	RRD-2016T304-22	Stainless Type 304	22"
RRD-84T304-10	Stainless Type 304	10"	RRD-2016T304-24-26	Stainless Type 304	24"-26"
RRD-84AL-6	Aluminum	6"	RRD-2016T304-28	Stainless Type 304	28"
RRD-84AL-7	Aluminum	7"	RRD-2016T304-30-32	Stainless Type 304	30"-32"
RRD-84AL-8	Aluminum	8"	RRD-2016T304-34-36	Stainless Type 304	34"-36"
RRD-84AL-10	Aluminum	10"	RRD-2016T304-38-40	Stainless Type 304	38"-40"
(12 x 8 in)			RRD-2016T304-42-46	Stainless Type 304	42"-46"
RRD-128GA-12	Galvanized	12"	RRD-2016T304-48-50	Stainless Type 304	48"-50"
RRD-128GA-14	Galvanized	14"	RRD-2016T304-52-58	Stainless Type 304	52"-58"
RRD-128GA-16	Galvanized	16"	RRD-2016T304-60-70	Stainless Type 304	60"-70"
RRD-128T304-12	Stainless Type 304	12"	RRD-2016AL-22	Aluminum	22"
RRD-128T304-14	Stainless Type 304	14"	RRD-2016AL-24-26	Aluminum	24"-26"
RRD-128T304-16	Stainless Type 304	16"	RRD-2016AL-28	Aluminum	28"
RRD-128AL-12	Aluminum	12"	RRD-2016AL-30-32	Aluminum	30"-32"
RRD-128AL-14	Aluminum	14"	RRD-2016AL-34-36	Aluminum	34"-36"
RRD-128AL-16	Aluminum	16"	RRD-2016AL-38-40	Aluminum	38"-40"
(16 x 12 in)			RRD-2016AL-42-46	Aluminum	42"-46"
RRD-1612GA-18	Galvanized	18"	RRD-2016AL-48-50	Aluminum	48"-50"
RRD-1612GA-20	Galvanized	20"	RRD-2016AL-52-58	Aluminum	52"-58"
RRD-1612T304-18	Stainless Type 304	18"	RRD-2016AL-60-70	Aluminum	60"-70"
RRD-1612T304-20	Stainless Type 304	20"			
RRD-1612AL-18	Aluminum	18"			
RRD-1612AL-20	Aluminum	20"			



- The RRD access doors made of aluminum are fitted with Stainless Type 304 bolts, nuts and springs.
- All imperial units are approximations

RRD ACCESS DOORS

ORDER RANGE

(RRD access doors for larger duct Ø available upon request)

RRD Access Doors with SKK (With SKK rubber edge molding)					
Catalog No.	Description	for duct-Ø in inches Standard	Catalog No.	Description	for duct-Ø in inches Standard
(7 x 3 in)			(20 x 16 in)		
RRDSKK-73GA-5	Galvanized	5"	RRDSKK-2016GA-22	Galvanized	22"
RRDSKK-73T304-5	Stainless Type 304	5"	RRDSKK-2016GA-24-26	Galvanized	24"-26"
RRDSKK-73AL-5	Aluminum	5"	RRDSKK-2016GA-28	Galvanized	28"
(8 x 4 in)			(20 x 16 in)		
RRDSKK-84GA-6	Galvanized	6"	RRDSKK-2016GA-30-32	Galvanized	30"-32"
RRDSKK-84GA-7	Galvanized	7"	RRDSKK-2016GA-34-36	Galvanized	34"-36"
RRDSKK-84GA-8	Galvanized	8"	RRDSKK-2016GA-38-40	Galvanized	38"-40"
RRDSKK-84GA-10	Galvanized	10"	RRDSKK-2016GA-42-46	Galvanized	42"-46"
RRDSKK-84T304-6	Stainless Type 304	6"	RRDSKK-2016GA-48-50	Galvanized	48"-50"
RRDSKK-84T304-7	Stainless Type 304	7"	RRDSKK-2016GA-52-58	Galvanized	52"-58"
RRDSKK-84T304-8	Stainless Type 304	8"	RRDSKK-2016GA-60-70	Galvanized	60"-70"
RRDSKK-84T304-10	Stainless Type 304	10"	RRDSKK-2016T304-22	Stainless Type 304	22"
RRDSKK-84AL-6	Aluminum	6"	RRDSKK-2016T304-24-26	Stainless Type 304	24"-26"
RRDSKK-84AL-7	Aluminum	7"	RRDSKK-2016T304-28	Stainless Type 304	28"
RRDSKK-84AL-8	Aluminum	8"	RRDSKK-2016T304-30-32	Stainless Type 304	30"-32"
RRDSKK-84AL-10	Aluminum	10"	RRDSKK-2016T304-34-36	Stainless Type 304	34"-36"
(12 x 8 in)			(20 x 16 in)		
RRDSKK-128GA-12	Galvanized	12"	RRDSKK-2016T304-38-40	Stainless Type 304	38"-40"
RRDSKK-128GA-14	Galvanized	14"	RRDSKK-2016T304-42-46	Stainless Type 304	42"-46"
RRDSKK-128GA-16	Galvanized	16"	RRDSKK-2016T304-48-50	Stainless Type 304	48"-50"
RRDSKK-128T304-12	Stainless Type 304	12"	RRDSKK-2016T304-52-58	Stainless Type 304	52"-58"
RRDSKK-128T304-14	Stainless Type 304	14"	RRDSKK-2016T304-60-70	Stainless Type 304	60"-70"
RRDSKK-128T304-16	Stainless Type 304	16"	RRDSKK-2016AL-22	Aluminum	22"
RRDSKK-128AL-12	Aluminum	12"	RRDSKK-2016AL-24-26	Aluminum	24"-26"
RRDSKK-128AL-14	Aluminum	14"	RRDSKK-2016AL-28	Aluminum	28"
RRDSKK-128AL-16	Aluminum	16"	RRDSKK-2016AL-30-32	Aluminum	30"-32"
(16 x 12 in)			(20 x 16 in)		
RRDSKK-1612GA-18	Galvanized	18"	RRDSKK-2016AL-34-36	Aluminum	34"-36"
RRDSKK-1612GA-20	Galvanized	20"	RRDSKK-2016AL-38-40	Aluminum	38"-40"
RRDSKK-1612T304-18	Stainless Type 304	18"	RRDSKK-2016AL-42-46	Aluminum	42"-46"
RRDSKK-1612T304-20	Stainless Type 304	20"	RRDSKK-2016AL-48-50	Aluminum	48"-50"
RRDSKK-1612AL-18	Aluminum	18"	RRDSKK-2016AL-52-58	Aluminum	52"-58"
RRDSKK-1612AL-20	Aluminum	20"	RRDSKK-2016AL-60-70	Aluminum	60"-70"



- The RRD access doors made of aluminum are fitted with Stainless Type 304 bolts, nuts and springs.
- All imperial units are approximations

ORDER RANGE

(RRD access doors for larger duct Ø available upon request)

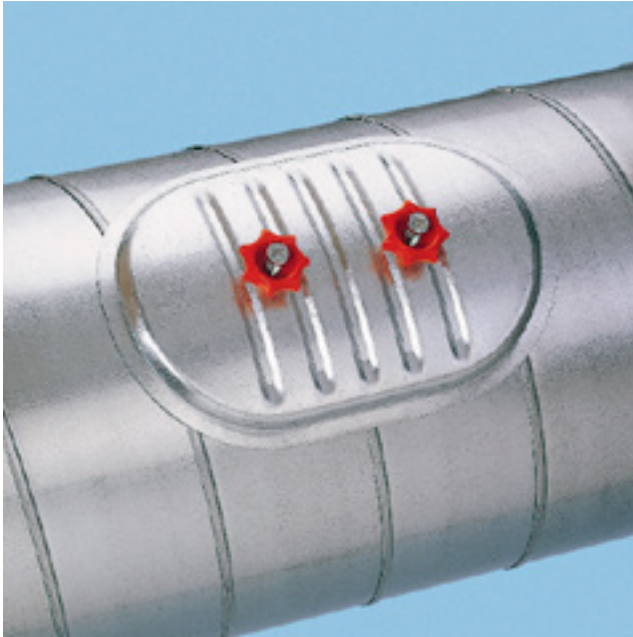
RRD Access Doors HT (High Temperature)					
(With ceramic wool gasket, metal knobs and 16 gauge black iron backing plate for operating temperatures up to +2012°F)					
Catalog No.	Description	for duct-Ø in inches Standard	Catalog No.	Description	for duct-Ø in inches Standard
(7 x 3 in)			(20 x 16 in)		
RRDHT-73GA-5	Galvanized	5"	RRDHT-2016GA-22	Galvanized	22"
RRDHT-73T304-5	Stainless Type 304	5"	RRDHT-2016GA-24-26	Galvanized	24"-26"
RRDHT-73AL-5	Aluminum	5"	RRDHT-2016GA-28	Galvanized	28"
(8 x 4 in)			RRDHT-2016GA-30-32	Galvanized	30"-32"
RRDHT-84GA-6	Galvanized	6"	RRDHT-2016GA-34-36	Galvanized	34"-36"
RRDHT-84GA-7	Galvanized	7"	RRDHT-2016GA-38-40	Galvanized	38"-40"
RRDHT-84GA-8	Galvanized	8"	RRDHT-2016GA-42-46	Galvanized	42"-46"
RRDHT-84GA-10	Galvanized	10"	RRDHT-2016GA-48-50	Galvanized	48"-50"
RRDHT-84T304-6	Stainless Type 304	6"	RRDHT-2016GA-52-58	Galvanized	52"-58"
RRDHT-84T304-7	Stainless Type 304	7"	RRDHT-2016GA-60-70	Galvanized	60"-70"
RRDHT-84T304-8	Stainless Type 304	8"	RRDHT-2016T304-22	Stainless Type 304	22"
RRDHT-84T304-10	Stainless Type 304	10"	RRDHT-2016T304-24-26	Stainless Type 304	24"-26"
RRDHT-84AL-6	Aluminum	6"	RRDHT-2016T304-28	Stainless Type 304	28"
RRDHT-84AL-7	Aluminum	7"	RRDHT-2016T304-30-32	Stainless Type 304	30"-32"
RRDHT-84AL-8	Aluminum	8"	RRDHT-2016T304-34-36	Stainless Type 304	34"-36"
RRDHT-84AL-10	Aluminum	10"	RRDHT-2016T304-38-40	Stainless Type 304	38"-40"
(12 x 8 in)			RRDHT-2016T304-42-46	Stainless Type 304	42"-46"
RRDHT-128GA-12	Galvanized	12"	RRDHT-2016T304-48-50	Stainless Type 304	48"-50"
RRDHT-128GA-14	Galvanized	14"	RRDHT-2016T304-52-58	Stainless Type 304	52"-58"
RRDHT-128GA-16	Galvanized	16"	RRDHT-2016T304-60-70	Stainless Type 304	60"-70"
RRDHT-128T304-12	Stainless Type 304	12"	RRDHT-2016AL-22	Aluminum	22"
RRDHT-128T304-14	Stainless Type 304	14"	RRDHT-2016AL-24-26	Aluminum	24"-26"
RRDHT-128T304-16	Stainless Type 304	16"	RRDHT-2016AL-28	Aluminum	28"
RRDHT-128AL-12	Aluminum	12"	RRDHT-2016AL-30-32	Aluminum	30"-32"
RRDHT-128AL-14	Aluminum	14"	RRDHT-2016AL-34-36	Aluminum	34"-36"
RRDHT-128AL-16	Aluminum	16"	RRDHT-2016AL-38-40	Aluminum	38"-40"
(16 x 12 in)			RRDHT-2016AL-42-46	Aluminum	42"-46"
RRDHT-1612GA-18	Galvanized	18"	RRDHT-2016AL-48-50	Aluminum	48"-50"
RRDHT-1612GA-20	Galvanized	20"	RRDHT-2016AL-52-58	Aluminum	52"-58"
RRDHT-1612T304-18	Stainless Type 304	18"	RRDHT-2016AL-60-70	Aluminum	60"-70"
RRDHT-1612T304-20	Stainless Type 304	20"			
RRDHT-1612AL-18	Aluminum	18"			
RRDHT-1612AL-20	Aluminum	20"			



- The RRD access doors made of aluminum are fitted with Stainless Type 304 bolts, nuts and springs.
- All imperial units are approximations

IRRD-3PL ACCESS DOORS

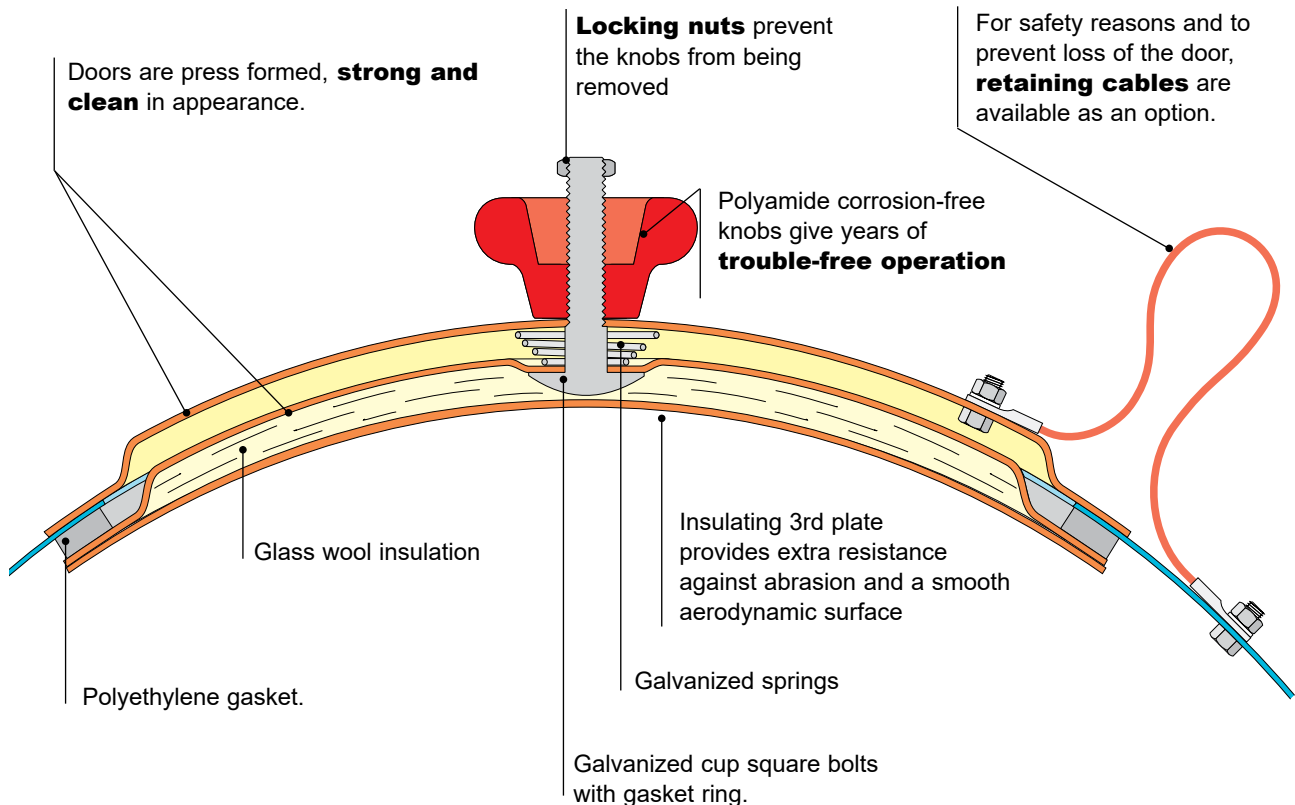
FOR SINGLE WALL ROUND AND OVAL DUCT



- **Easy and rapid installation.**
- **Duct opening is reinforced by being clamped between two metal covers.**
- **Insulation provides thermal protection.**
- **3rd plate provides resistance to abrasion when used in material conveyance systems.**
- **3rd plate improves aerodynamic properties.**

Illustration:

Standard IRRD-3PL Access Door with Polyethylene Gasket

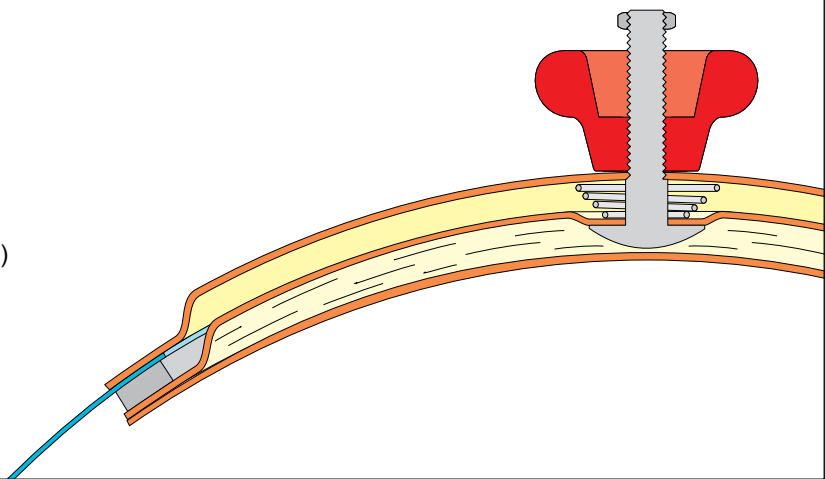


AVAILABLE OPTIONS

Standard version:

IRRD-3PL Access Door with polyethylene (PE) gasket and polyamide knobs

Operating temperature from -94°F (-70°C)
to +158°F (-70°C)
Grease and oil resistant

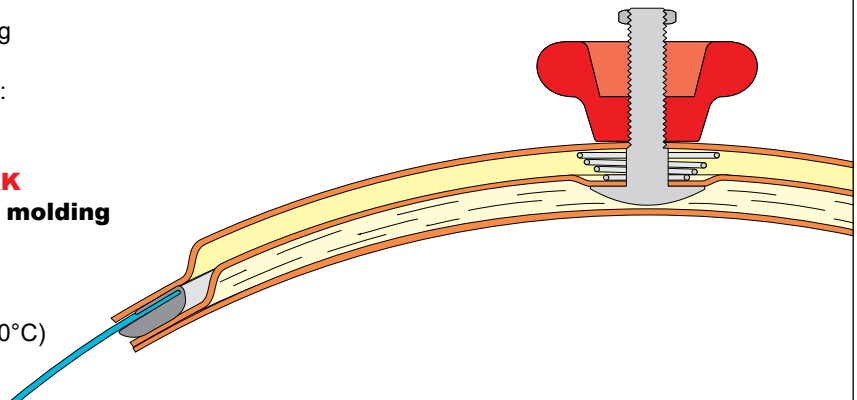


Additional Safety:

Also available is the special version
with self-adhesive rubber edge molding
which protects from possible injuries
due to the sharp edges of the opening:

IRRD-3PL Access Door with SKK with self-adhesive rubber edge molding and polyamide knobs

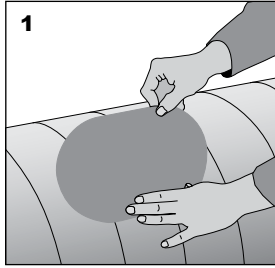
Operating temperature from -94°F (+70°C)
to +212°F (+100°C)



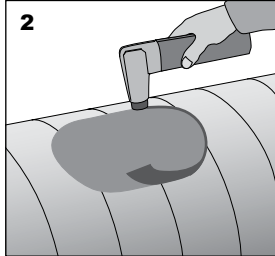
All versions are available in galvanized steel, stainless steel and aluminum.

IRRD-3PL ACCESS DOORS

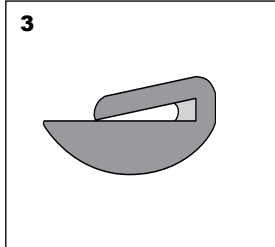
IRRD-3PL INSTALLATION



1 Apply the self-adhesive template on the duct wall at the desired position.

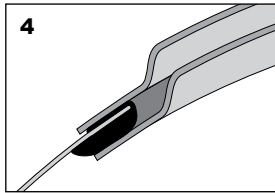


2 Cut the opening following the edge of the template.

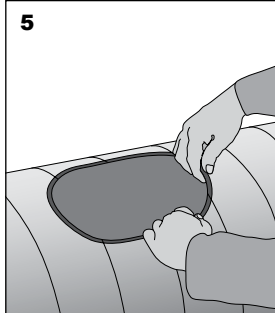


**For Standard Installation
Proceed to Step 6...**

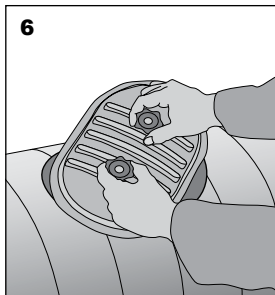
Only for access doors ordered with SKK rubber edge molding:
The SKK molding is fitted with pre-injected glue. It can be applied on duct walls up to 14 Gauge.



Only for access doors ordered with SKK rubber edge molding:
The thicker lip of the SKK must be inside the duct.

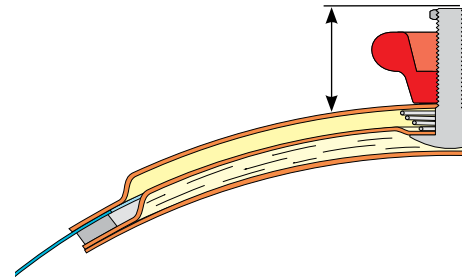


Only for access doors ordered with SKK rubber edge molding:
Apply the SKK molding so that the duct wall enters as deeply as possible in the pocket. Both ends should meet at a straight section, pressing slightly against each other but without overlapping.



Door Installation: Turn the knobs until they hit the stops and insert the inner door panel inside the opening at an angle. Then straighten the door, pull it lightly to center it and tighten the knobs.

Distance between ductwall and knob when Access Door knobs are tightened:



IRRD3PL-73	= approx. 1-3/8"
IRRD3PL-84	= approx. 1-3/8"
IRRD3PL-126	= approx. 2"
IRRD3PL-128	= approx. 2"
IRRD3PL-168	= approx. 2"
IRRD3PL-1612	= approx. 2-1/4"
IRRD3PL-2012	= approx. 2-1/4"
IRRD3PL-2016	= approx. 2-5/8"
IRRD3PL-2416	= approx. 2-5/8"
IRRD3PL-2420	= approx. 2-7/8"
IRRD3PL-2820	= approx. 2-7/8"

AIR-TIGHTNESS:

Correctly installed IRRD-3PL Access Doors are air-tight up to 20" w.g.

IRRD-3PL ACCESS DOORS

ORDER RANGE

IRRD-3PL Access Doors (Standard Version with PE Gasket)					
Catalog No.	Description	for duct-Ø in inches	Catalog No.	Description	for duct-Ø in inches
Standard			Standard		
(7 x 3 in)			(20 x 16 in)		
IRRD3PL-73GA-5	Galvanized	5"	IRRD3PL-2016GA-22	Galvanized	22"
IRRD3PL-73T304-5	Stainless Type 304	5"	IRRD3PL-2016GA-24-26	Galvanized	24"-26"
IRRD3PL-73AL-5	Aluminum	5"	IRRD3PL-2016GA-28	Galvanized	28"
(8 x 4 in)			(20 x 16 in)		
IRRD3PL-84GA-6	Galvanized	6"	IRRD3PL-2016GA-30-32	Galvanized	30"-32"
IRRD3PL-84GA-7	Galvanized	7"	IRRD3PL-2016GA-34-36	Galvanized	34"-36"
IRRD3PL-84GA-8	Galvanized	8"	IRRD3PL-2016GA-38-40	Galvanized	38"-40"
IRRD3PL-84GA-10	Galvanized	10"	IRRD3PL-2016GA-42-46	Galvanized	42"-46"
IRRD3PL-84T304-6	Stainless Type 304	6"	IRRD3PL-2016GA-48-50	Galvanized	48"-50"
IRRD3PL-84T304-7	Stainless Type 304	7"	IRRD3PL-2016GA-52-58	Galvanized	52"-58"
IRRD3PL-84T304-8	Stainless Type 304	8"	IRRD3PL-2016GA-60-70	Galvanized	60"-70"
IRRD3PL-84T304-10	Stainless Type 304	10"	IRRD3PL-2016T304-22	Stainless Type 304	22"
IRRD3PL-84AL-6	Aluminum	6"	IRRD3PL-2016T304-24-26	Stainless Type 304	24"-26"
IRRD3PL-84AL-7	Aluminum	7"	IRRD3PL-2016T304-28	Stainless Type 304	28"
IRRD3PL-84AL-8	Aluminum	8"	IRRD3PL-2016T304-30-32	Stainless Type 304	30"-32"
IRRD3PL-84AL-10	Aluminum	10"	IRRD3PL-2016T304-34-36	Stainless Type 304	34"-36"
(12 x 8 in)			IRRD3PL-2016T304-38-40	Stainless Type 304	38"-40"
IRRD3PL-128GA-12	Galvanized	12"	IRRD3PL-2016T304-42-46	Stainless Type 304	42"-46"
IRRD3PL-128GA-14	Galvanized	14"	IRRD3PL-2016T304-48-50	Stainless Type 304	48"-50"
IRRD3PL-128GA-16	Galvanized	16"	IRRD3PL-2016T304-52-58	Stainless Type 304	52"-58"
IRRD3PL-128T304-12	Stainless Type 304	12"	IRRD3PL-2016T304-60-70	Stainless Type 304	60"-70"
IRRD3PL-128T304-14	Stainless Type 304	14"	IRRD3PL-2016AL-22	Aluminum	22"
IRRD3PL-128T304-16	Stainless Type 304	16"	IRRD3PL-2016AL-24-26	Aluminum	24"-26"
IRRD3PL-128AL-12	Aluminum	12"	IRRD3PL-2016AL-28	Aluminum	28"
IRRD3PL-128AL-14	Aluminum	14"	IRRD3PL-2016AL-30-32	Aluminum	30"-32"
IRRD3PL-128AL-16	Aluminum	16"	IRRD3PL-2016AL-34-36	Aluminum	34"-36"
(16 x 12 in)			IRRD3PL-2016AL-38-40	Aluminum	38"-40"
IRRD3PL-1612GA-18	Galvanized	18"	IRRD3PL-2016AL-42-46	Aluminum	42"-46"
IRRD3PL-1612GA-20	Galvanized	20"	IRRD3PL-2016AL-48-50	Aluminum	48"-50"
IRRD3PL-1612T304-18	Stainless Type 304	18"	IRRD3PL-2016AL-52-58	Aluminum	52"-58"
IRRD3PL-1612T304-20	Stainless Type 304	20"	IRRD3PL-2016AL-60-70	Aluminum	60"-70"
IRRD3PL-1612AL-18	Aluminum	18"			
IRRD3PL-1612AL-20	Aluminum	20"			



- IRRD-3PL access doors made of aluminum are fitted with Stainless Type 304 bolts, nuts and springs.
- IRRD-3PL access doors for larger duct Ø available upon request.
- All imperial units are approximations.

IRRD-3PL ACCESS DOORS

ORDER RANGE

IRRD-3PL Access Doors with SKK (With SKK rubber edge molding)					
Catalog No.	Description	for duct-Ø in inches Standard	Catalog No.	Description	for duct-Ø in inches Standard
(7 x 3 in)			(20 x 16 in)		
IRRDSKK3PL-73GA-5	Galvanized	5"	IRRDSKK3PL-2016GA-22	Galvanized	22"
IRRDSKK3PL-73T304-5	Stainless Type 304	5"	IRRDSKK3PL-2016GA-24-26	Galvanized	24"-26"
IRRDSKK3PL-73AL-5	Aluminum	5"	IRRDSKK3PL-2016GA-28	Galvanized	28"
(8 x 4 in)			IRRDSKK3PL-2016GA-30-32 Galvanized 30"-32"		
IRRDSKK3PL-84GA-6	Galvanized	6"	IRRDSKK3PL-2016GA-34-36	Galvanized	34"-36"
IRRDSKK3PL-84GA-7	Galvanized	7"	IRRDSKK3PL-2016GA-38-40	Galvanized	38"-40"
IRRDSKK3PL-84GA-8	Galvanized	8"	IRRDSKK3PL-2016GA-42-46	Galvanized	42"-46"
IRRDSKK3PL-84GA-10	Galvanized	10"	IRRDSKK3PL-2016GA-48-50	Galvanized	48"-50"
IRRDSKK3PL-84T304-6	Stainless Type 304	6"	IRRDSKK3PL-2016GA-52-58	Galvanized	52"-58"
IRRDSKK3PL-84T304-7	Stainless Type 304	7"	IRRDSKK3PL-2016GA-60-70	Galvanized	60"-70"
IRRDSKK3PL-84T304-8	Stainless Type 304	8"	IRRDSKK3PL-2016T304-22	Stainless Type 304	22"
IRRDSKK3PL-84T304-10	Stainless Type 304	10"	IRRDSKK3PL-2016T304-24-26	Stainless Type 304	24"-26"
IRRDSKK3PL-84AL-6	Aluminum	6"	IRRDSKK3PL-2016T304-28	Stainless Type 304	28"
IRRDSKK3PL-84AL-7	Aluminum	7"	IRRDSKK3PL-2016T304-30-32	Stainless Type 304	30"-32"
IRRDSKK3PL-84AL-8	Aluminum	8"	IRRDSKK3PL-2016T304-34-36	Stainless Type 304	34"-36"
IRRDSKK3PL-84AL-10	Aluminum	10"	IRRDSKK3PL-2016T304-38-40	Stainless Type 304	38"-40"
(12 x 8 in)			IRRDSKK3PL-2016T304-42-46 Stainless Type 304 42"-46"		
IRRDSKK3PL-128GA-12	Galvanized	12"	IRRDSKK3PL-2016T304-48-50	Stainless Type 304	48"-50"
IRRDSKK3PL-128GA-14	Galvanized	14"	IRRDSKK3PL-2016T304-52-58	Stainless Type 304	52"-58"
IRRDSKK3PL-128GA-16	Galvanized	16"	IRRDSKK3PL-2016T304-60-70	Stainless Type 304	60"-70"
IRRDSKK3PL-128T304-12	Stainless Type 304	12"	IRRDSKK3PL-2016AL-22	Aluminum	22"
IRRDSKK3PL-128T304-14	Stainless Type 304	14"	IRRDSKK3PL-2016AL-24-26	Aluminum	24"-26"
IRRDSKK3PL-128T304-16	Stainless Type 304	16"	IRRDSKK3PL-2016AL-28	Aluminum	28"
IRRDSKK3PL-128AL-12	Aluminum	12"	IRRDSKK3PL-2016AL-30-32	Aluminum	30"-32"
IRRDSKK3PL-128AL-14	Aluminum	14"	IRRDSKK3PL-2016AL-34-36	Aluminum	34"-36"
IRRDSKK3PL-128AL-16	Aluminum	16"	IRRDSKK3PL-2016AL-38-40	Aluminum	38"-40"
(16 x 12 in)			IRRDSKK3PL-2016AL-42-46 Aluminum 42"-46"		
IRRDSKK3PL-1612GA-18	Galvanized	18"	IRRDSKK3PL-2016AL-48-50	Aluminum	48"-50"
IRRDSKK3PL-1612GA-20	Galvanized	20"	IRRDSKK3PL-2016AL-52-58	Aluminum	52"-58"
IRRDSKK3PL-1612T304-18	Stainless Type 304	18"	IRRDSKK3PL-2016AL-60-70	Aluminum	60"-70"
IRRDSKK3PL-1612T304-20	Stainless Type 304	20"			
IRRDSKK3PL-1612AL-18	Aluminum	18"			
IRRDSKK3PL-1612AL-20	Aluminum	20"			

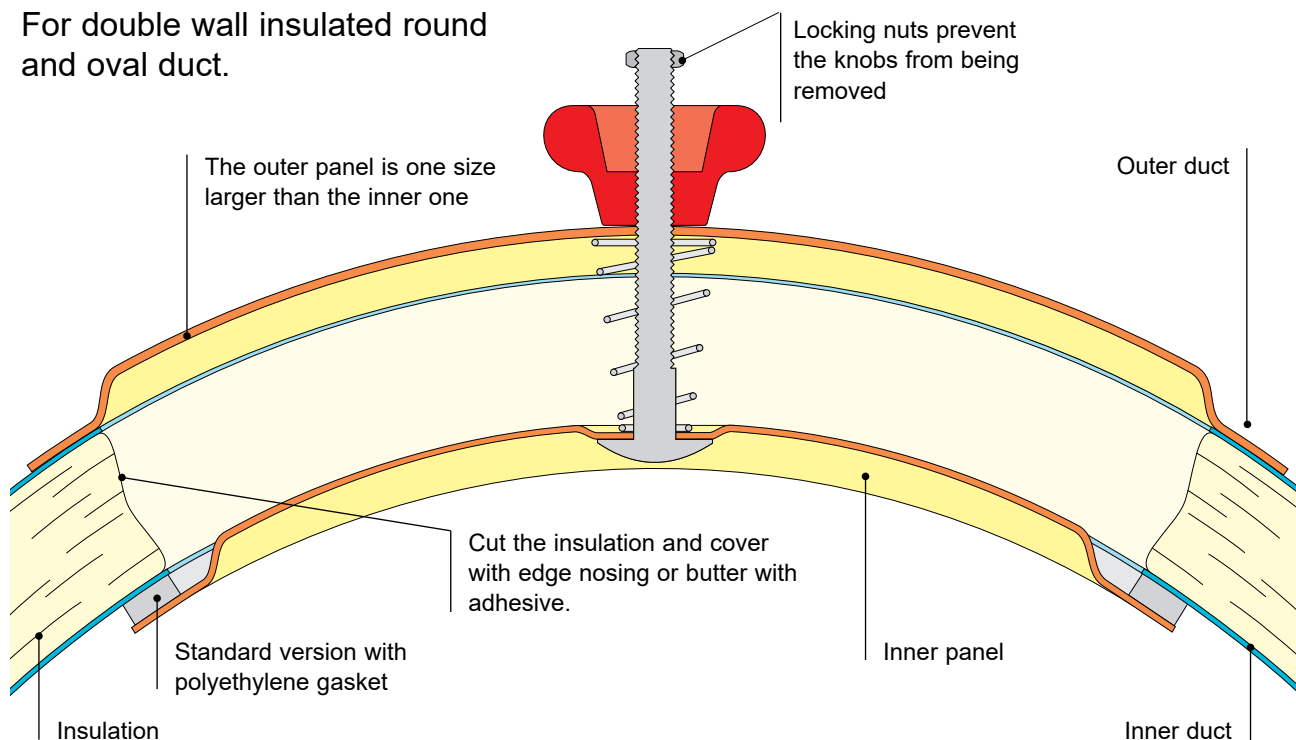


- IRRDSKK-3PL access doors made of aluminum are fitted with Stainless Type 304 bolts, nuts and springs.
- IRRDSKK-3PL access doors for larger duct Ø available upon request.
- All imperial units are approximations.

IRRD-DW ACCESS DOORS

IRRD-DW Access Doors

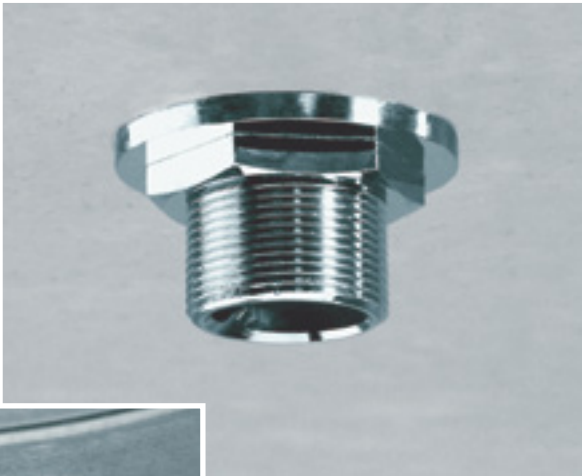
For double wall insulated round and oval duct.



IMPORTANT INFORMATION

In view of the numerous requirements and applications, all Double-Wall doors are custom made. Please complete the following form and fax it to us. Upon receipt we will contact you to further discuss your requirements.

FILL OUT AND FAX TO 503-288-3327	From	Company:		
		Contact:		
		Phone:		
		Required door opening:	x	inches
		Outer duct-Ø (A):		inches Ø
		Inner duct-Ø (B):		inches Ø
		Insulation thickness:		inches
		Operating temperature:		°F
Quantity required:			Piece(s)	
	Remarks:			

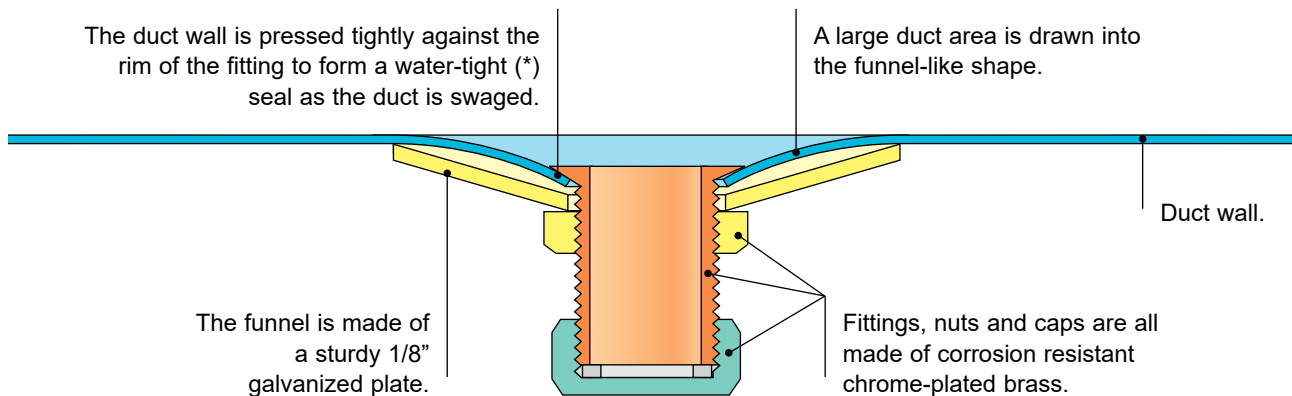


ST DRAIN FITTINGS

TYPE ST-G: DRAIN FITTINGS WITH WIDE FUNNEL



- **Special fittings to drain condensation from rectangular ductwork or other equipment.**
- **The duct wall is swaged to form a funnel-like drainage basin.**
- **A water-tight seal is created at the thread connection.**
- **Easy installation (just drill a hole and screw in the drain fitting).**
- **All parts are protected against corrosion.**



(*) Normally no sealant is required. Only when the surface of the duct is damaged or rough, mastic should be applied around the rim.

INSTALLATION

1. Drill a hole in the duct wall.
2. Insert the fitting into the hole, slide on the funnel plate and tighten the nut until the duct wall is drawn into the funnel.
3. The cap is only necessary if no connection to a drain pipe is foreseen.

ORDER RANGE

ST-G Drain Fitting with Wide Funnel		
Catalog No.	Description	Material
ST-G 1/2"	1/2" Drain with Wide Funnel	Galv. steel / chrome-plated brass
ST-G 3/4"	3/4" Drain with Wide Funnel	Galv. steel / chrome-plated brass
ST-G 1"	1" Drain with Wide Funnel	Galv. steel / chrome-plated brass
ST-G 1 1/2"	1 1/2" Drain with Wide Funnel	Galv. steel / chrome-plated brass

Drain Fitting Caps (suitable for all drain fittings)		
Catalog No.	Description	Material
STCAP - 1/2"	Drain Fitting Cap	Chrome-plated brass
STCAP - 3/4"	Drain Fitting Cap	Chrome-plated brass
STCAP - 1"	Drain Fitting Cap	Chrome-plated brass
STCAP - 1 1/2"	Drain Fitting Cap	Chrome-plated brass

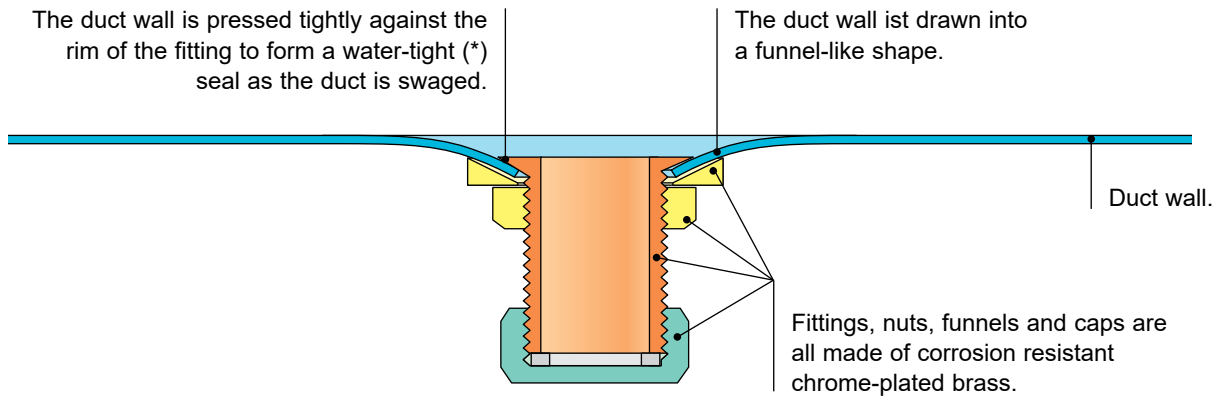
Bold = In stock

ST DRAIN FITTINGS

TYPE ST-K: DRAIN FITTINGS WITH NARROW FUNNEL



- **Special fittings to drain condensation from rectangular ductwork or other equipment.**
- **The duct wall is swaged to form a funnel-like drainage basin.**
- **A water-tight seal is created at the thread connection.**
- **Easy installation (just drill a hole and screw in the drain fitting).**
- **All parts are protected against corrosion.**



(*) Normally no sealant is required. Only when the surface of the duct is damaged or rough, mastic should be applied around the rim.

INSTALLATION

1. Drill a hole in the duct wall.
2. Insert the fitting into the hole, slide on the funnel plate and tighten the nut until the duct wall is drawn into the funnel.
3. The cap is only necessary if no connection to a drain pipe is foreseen.

ORDER RANGE

ST-K Drain Fittings with Narrow Funnel		
Catalog No.	Description	Material
ST-K 1/2"	1/2" Drain	Chrome-plated brass
ST-K 3/4"	3/4" Drain	Chrome-plated brass
ST-K 1"	1" Drain	Chrome-plated brass
ST-K 1 1/2"	1 1/2" Drain	Chrome-plated brass

Drain Fitting Caps (suitable for all drain fittings)		
Catalog No.	Description	Material
STCAP-1/2"	Drain Fitting Cap	Chrome-plated brass
STCAP-3/4"	Drain Fitting Cap	Chrome-plated brass
STCAP-1"	Drain Fitting Cap	Chrome-plated brass
STCAP-1 1/2"	Drain Fitting Cap	Chrome-plated brass

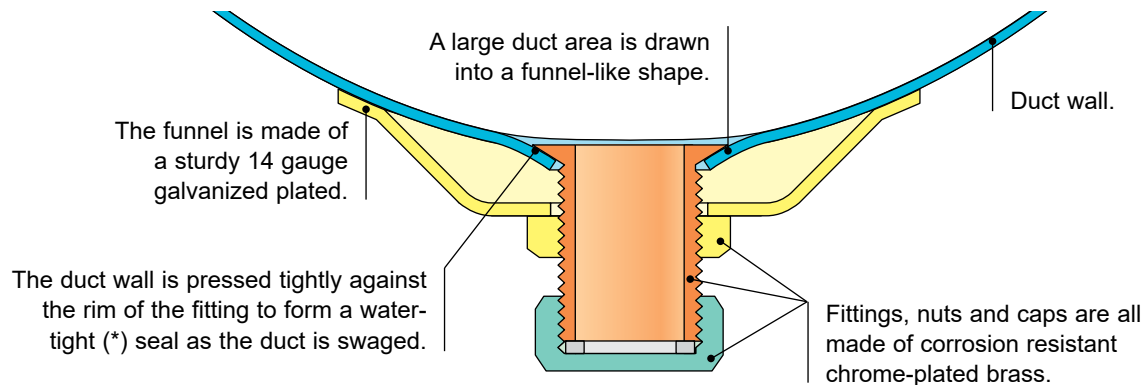
Bold = In stock

ST DRAIN FITTINGS

TYPE ST-R: DRAIN FITTINGS FOR ROUND DUCTS



- **Special fittings to drain condensation from round ductwork or other curved surfaces.**
- **The duct wall is swaged to form a funnel-like drainage basin.**
- **A water-tight seal is created at the thread connection.**
- **Easy installation (just drill a hole and screw in the drain fitting).**
- **All parts are protected against corrosion.**



(*) Normally no sealant is required. Only when the surface of the duct is damaged or rough, mastic should be applied around the rim.

INSTALLATION

1. Drill a hole in the duct wall.
2. Insert the fitting into the hole, slide on the funnel plate and tighten the nut until the duct wall is drawn into the funnel.
3. The cap is only necessary if no connection to a drain pipe is foreseen.

ORDER RANGE

Please refer to next page

ST DRAIN FITTINGS

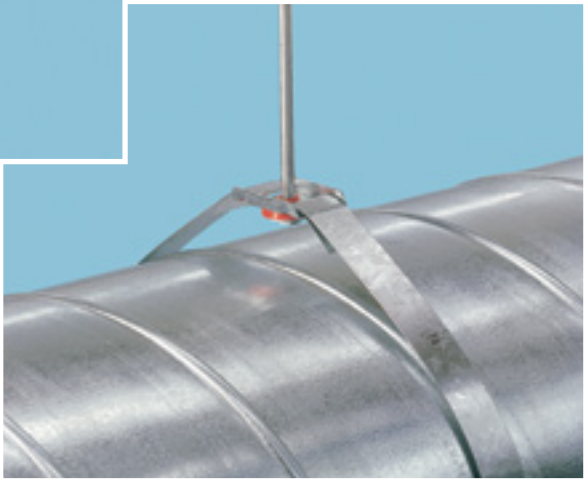
TYPE ST-R: DRAIN FITTINGS FOR ROUND DUCTS

ORDER RANGE

ST-R Drain Fittings for Round Ducts			
Catalog No.	Description	for duct-Ø	Material
ST-R 1/2" - 8	Drain Fitting with Galvanized Saddle	8"	galv. steel / chrome-plated brass
ST-R 3/4" - 8	Drain Fitting with Galvanized Saddle	8"	galv. steel / chrome-plated brass
ST-R 1" - 8	Drain Fitting with Galvanized Saddle	8"	galv. steel / chrome-plated brass
ST-R 1/2" - 10	Drain Fitting with Galvanized Saddle	10"	galv. steel / chrome-plated brass
ST-R 3/4" - 10	Drain Fitting with Galvanized Saddle	10"	galv. steel / chrome-plated brass
ST-R 1" - 10	Drain Fitting with Galvanized Saddle	10"	galv. steel / chrome-plated brass
ST-R 1/2" - 12	Drain Fitting with Galvanized Saddle	12"	galv. steel / chrome-plated brass
ST-R 3/4" - 12	Drain Fitting with Galvanized Saddle	12"	galv. steel / chrome-plated brass
ST-R 1" - 12	Drain Fitting with Galvanized Saddle	12"	galv. steel / chrome-plated brass
ST-R 1/2" - 14-16	Drain Fitting with Galvanized Saddle	14"-16"	galv. steel / chrome-plated brass
ST-R 3/4" - 14-16	Drain Fitting with Galvanized Saddle	14"-16"	galv. steel / chrome-plated brass
ST-R 1" - 14-16	Drain Fitting with Galvanized Saddle	14"-16"	galv. steel / chrome-plated brass
ST-R 1/2" - 18-20	Drain Fitting with Galvanized Saddle	18"-20"	galv. steel / chrome-plated brass
ST-R 3/4" - 18-20	Drain Fitting with Galvanized Saddle	18"-20"	galv. steel / chrome-plated brass
ST-R 1" - 18-20	Drain Fitting with Galvanized Saddle	18"-20"	galv. steel / chrome-plated brass
ST-R 1/2" - 22-24	Drain Fitting with Galvanized Saddle	22"-24"	galv. steel / chrome-plated brass
ST-R 3/4" - 22-24	Drain Fitting with Galvanized Saddle	22"-24"	galv. steel / chrome-plated brass
ST-R 1" - 22-24	Drain Fitting with Galvanized Saddle	22"-24"	galv. steel / chrome-plated brass
ST-R 1/2" - 26-30	Drain Fitting with Galvanized Saddle	26"-30"	galv. steel / chrome-plated brass
ST-R 3/4" - 26-30	Drain Fitting with Galvanized Saddle	26"-30"	galv. steel / chrome-plated brass
ST-R 1" - 26-30	Drain Fitting with Galvanized Saddle	26"-30"	galv. steel / chrome-plated brass
ST-R 1/2" - 32-40	Drain Fitting with Galvanized Saddle	32"-40"	galv. steel / chrome-plated brass
ST-R 3/4" - 32-40	Drain Fitting with Galvanized Saddle	32"-40"	galv. steel / chrome-plated brass
ST-R 1" - 32-40	Drain Fitting with Galvanized Saddle	32"-40"	galv. steel / chrome-plated brass
Drain Fitting Caps (suitable for all drain fittings)			
Catalog No.	Description	for duct-Ø	Material
STCAP-1/2"	Drain Fitting Cap	8"-40"	chrome-plated brass
STCAP-3/4"	Drain Fitting Cap	8"-40"	chrome-plated brass
STCAP-1"	Drain Fitting Cap	8"-40"	chrome-plated brass
STCAP-1 1/2"	Drain Fitting Cap	8"-40"	chrome-plated brass

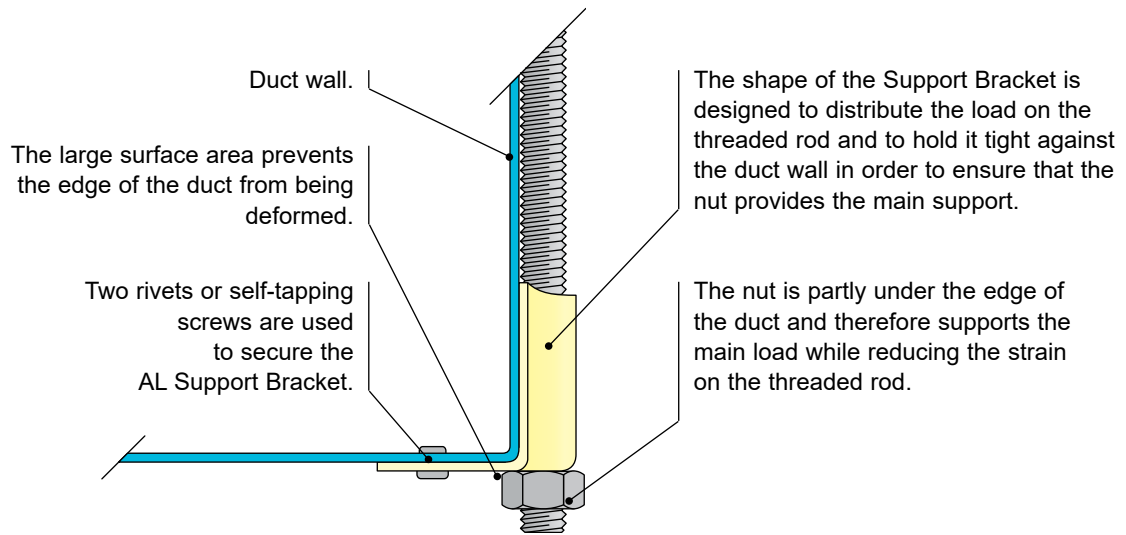
NOTE: For duct-Ø larger than 40", the drain fittings for flat duct walls ST-K and ST-G can be used.

Bold = In stock





- **For the suspension of rectangular ductwork and/or equipment using 3/8" threaded rod.**
- **Sturdy construction with load-bearing capacity up to 300 lbs.**
- **Large supporting surface area prevents the edge of the duct from being deformed.**
- **Easy installation.**



DIMENSIONS AND LOAD-BEARING CAPACITY

The AL Support Brackets have a height of 1-1/2" inches, a width of 2" and an overall depth of 1-1/2" inches (approximately).

The load-bearing capacity is mainly limited to the strength of the ductwork, since the duct wall will buckle before the bracket deforms. With a duct wall thickness equal to 20 Gauge for instance the AL Support Bracket loading capacity is 300 pounds per bracket. The breaking load is three times higher.

INSTALLATION

Press the AL Support Bracket tight against the duct wall and drill through the 3/16" guide holes to accommodate rivets or install self-tapping screws. The threaded rod can be positioned either before or after the fixing of the Support Bracket on the duct wall.

Sound isolation: If sound isolation is required, we recommend the use of SI Isolation Hangers.

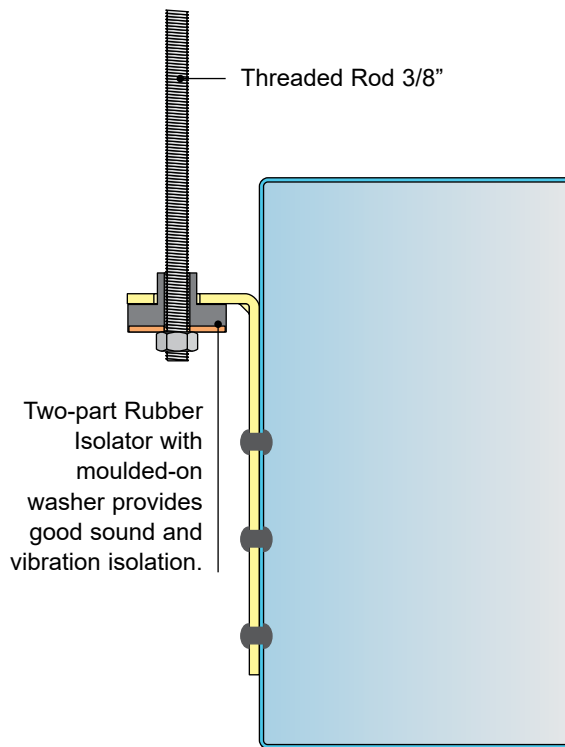
DESIGNATION

Catalog No.	Description	for threaded rod Ø
AL-3/8GA	Galvanized AL Support Bracket	3/8"

MB ANGLE BRACKETS

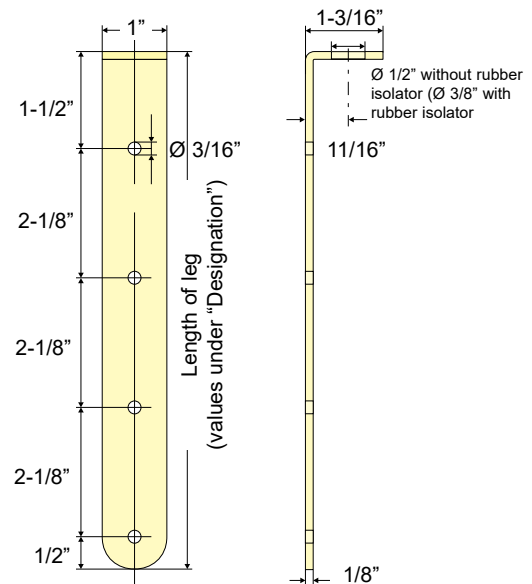


- **Rugged 1/8" galvanized steel brackets.**
- **Used for the suspension of rectangular ductwork and equipment.**
- **Available in three different lengths to accommodate varying load requirements.**
- **The included Rubber Isolator provides good sound and vibration isolation.**



DIMENSIONS

MB Angle Brackets
(data in inches)



DESIGNATION AND LOAD-BEARING CAPACITY

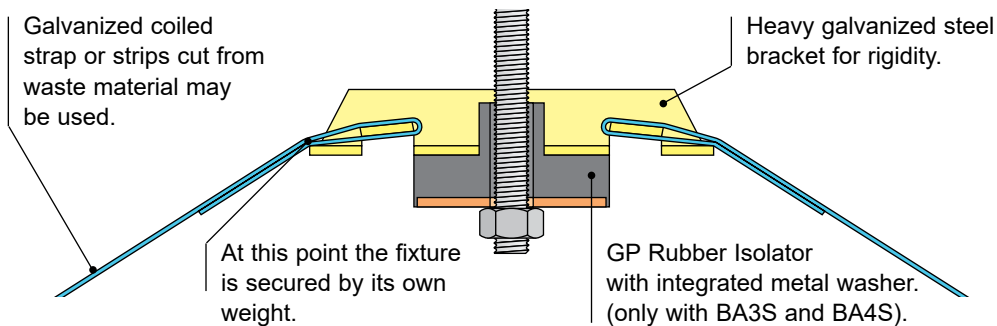
SKU	Catalog No.	Isolated with	Length of leg	No. of holes	Loading capacity
F06V-1001	MB-3/8GA-4	Rubber Isolator	4"	3	260 lbs*
F06V-1002	MB-3/8GA-6	Rubber Isolator	6"	3	320 lbs*
F06V-1003	MB-3/8GA-8	Rubber Isolator	8"	4	420 lbs*

* The indicated maximum load-bearing capacity is dependent upon use of #10 screws for fastening into minimum 22 gauge material for the 260 lb. rating, 20 gauge material for the 320 lb. rating and 18 gauge material for the 420 lb. rating.

BA CIRCULAR DUCT SUPPORTS



- For the suspension of circular ductwork using 3/8" threaded rod.
- Standard 1" hanger strap encircles the duct.
- A press-formed steel bracket joins the two ends of the steel strap and provides a suspension point for the threaded rod.
- The steel strap is hand-formed into the bracket, requires no tools and is self-locking.
- High load-bearing capacity.

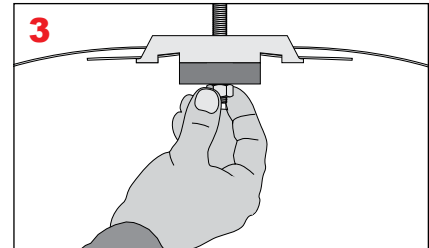
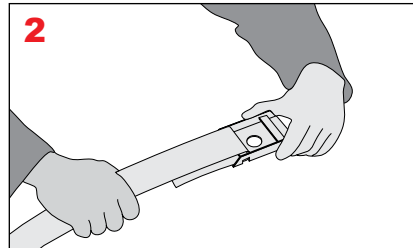
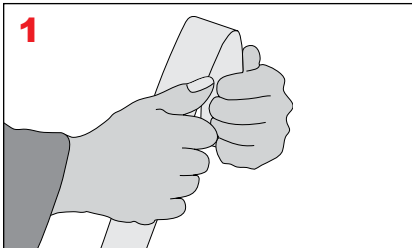


INSTALLATION

Both ends of the strap are bent over approximately 1-2 inches. **Be sure to protect your hands with gloves!**

Hook the ends through the slots in the bracket.

Suspend the assembly from a threaded rod.



DESIGNATION AND FIELD OF APPLICATION

SKU	Catalog No.	Description
F09A-1001	BA3-1-3/8GA	Galvanized BA Support Bracket for 1" strap and 3/8" rod
F09V-1004	BA3S-1-3/8GA	Galvanized BA Support Bracket with Isolator for 1" strap and 3/8" rod
F09A-1002	BA4-1.5-3/8GA	Galvanized BA Support Bracket for 1-1/2" strap and 3/8" rod
F09V-1005	BA4S-1.5-3/8GA	Galvanized BA Support Bracket with Isolator for 1-1/2" strap and 3/8" rod
F09A-1003	BA5-2-3/8GA	Galvanized BA Support Bracket with Isolator for 2" strap and 3/8" rod
F09V-1006	BA5S-2-1/2GA	Galvanized BA Support Bracket with Isolator for 2" strap and 1/2" rod

*The indicated maximum load-bearing capacity has a breaking load of approximately three times higher.

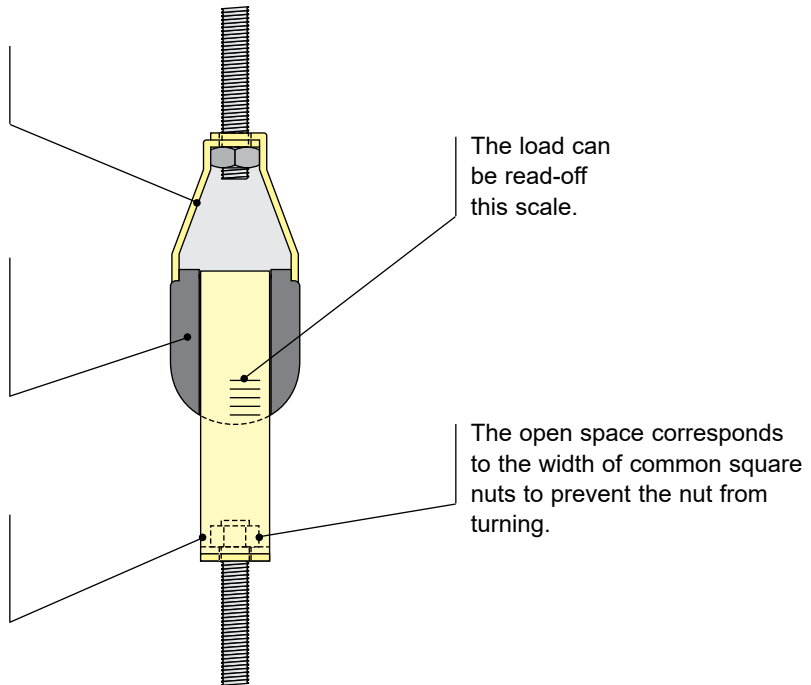


- For the sound isolated suspension of ductwork and equipment using 1/4", 3/8" and 1/2" threaded rods.
- A rubber isolator is placed between two 12 gauge tension brackets eliminating the transmission of sound and vibrations.
- Available in three different sizes to accommodate varying load requirements.
- Built-in scale allows actual load to be read.

The 12 gauge tension brackets have a much greater load-bearing capacity than the corresponding threaded rods.

The rubber isolator prevents vibrations from being transmitted.

The dimension on the outside corresponds to a standard open-ended wrench.



The load can be read-off this scale.

The open space corresponds to the width of common square nuts to prevent the nut from turning.

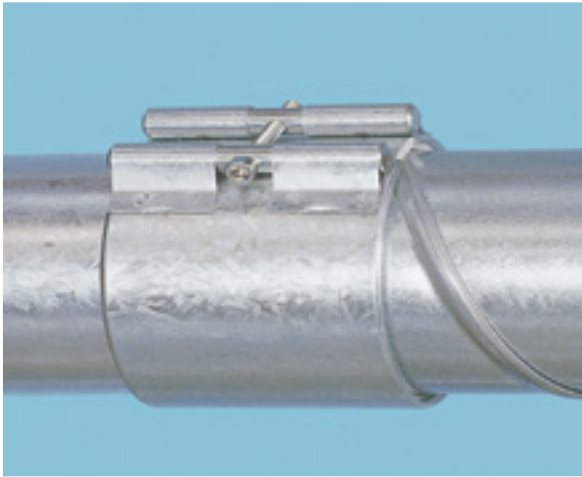
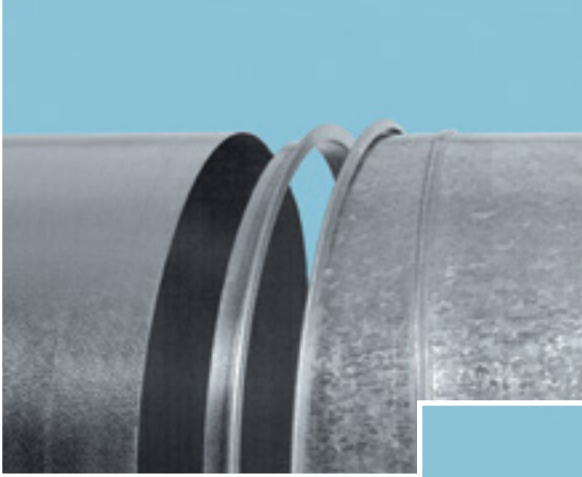
LOAD-BEARING CAPACITY AND DIMENSIONS

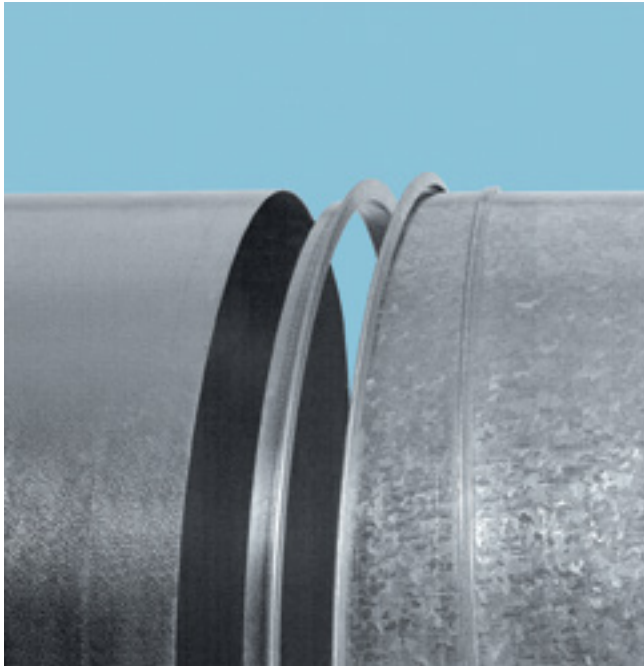
Type	Loading capacity*	Threaded rod	Overall length	max. width	Rubber thickness
SI-1/4"	880 lbs	1/4"	5-1/2"	1-9/16" x 1-9/16"	1-3/4"
SI-3/8"	1100 lbs	3/8"	5-7/8"	1-3/4" x 1-3/4"	2"
SI-1/2"	1320 lbs	1/2"	6-1/4"	2" x 2"	2-3/16"

* Loading capacity is limited to rating of threaded rod being used.

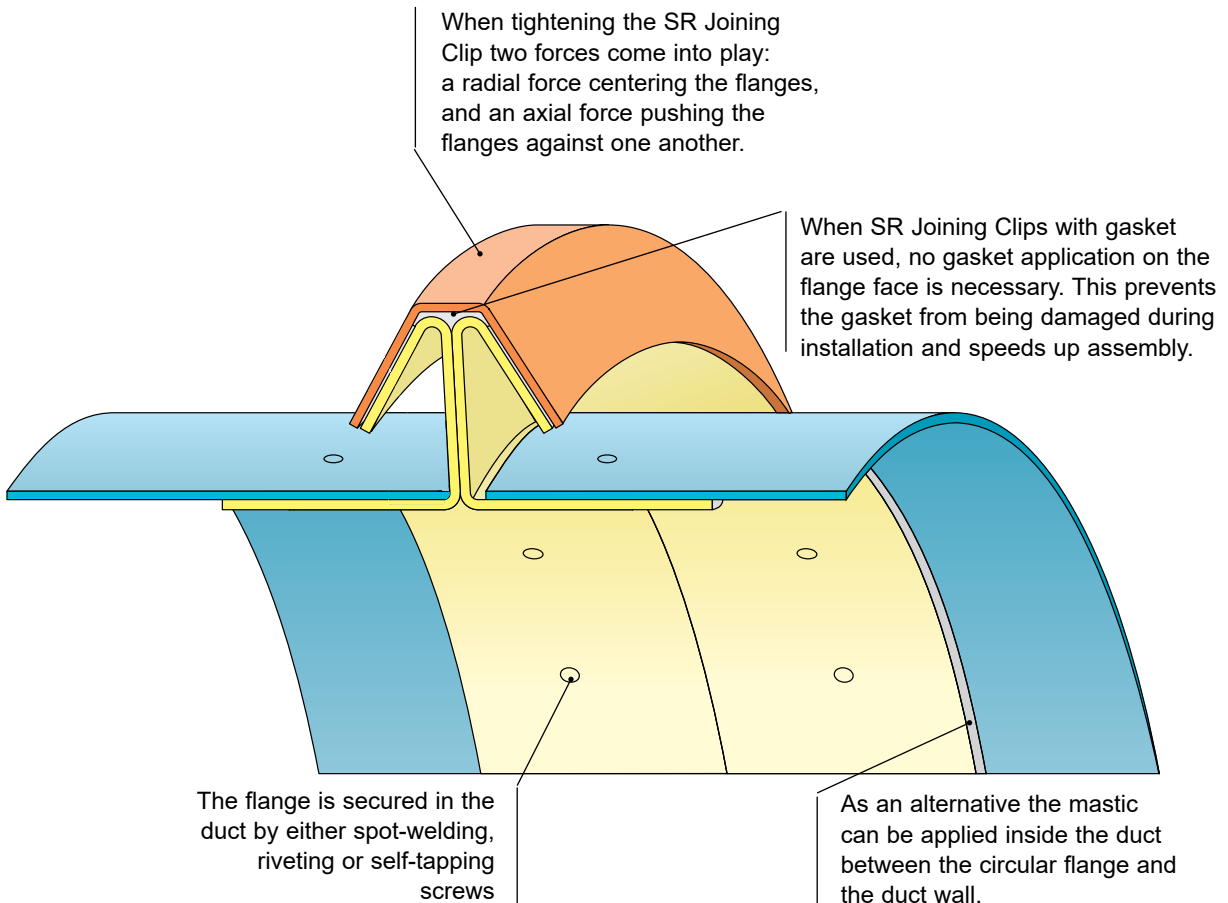
DESIGNATION

SKU	Catalog No.	Description
F02V-1001	SI-1/4"	1/4" Isolator
F02V-1002	SI-3/8"	3/8" Isolator
F02V-1003	SI-1/2"	1/2" Isolator





- **Premier flange connection.**
- **3-piece connection system with SR joining clips reduces installation costs.**
- **Suitable for both spiral seam and longitudinal seam ductwork.**
- **System design benefits for both positive and negative pressure systems.**
- **SR joining clips are used to assemble the ducts.**
- **For round ducts 8" to 118" in diameter.**

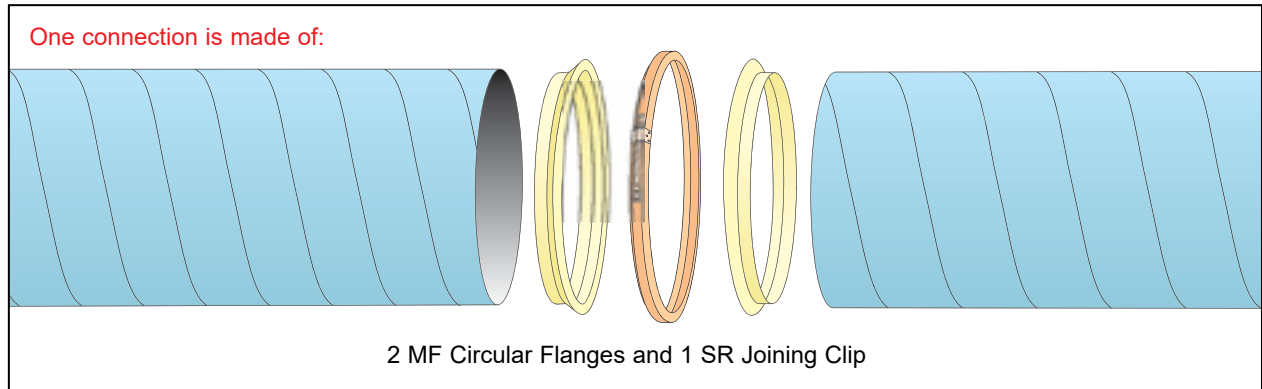


MF FLANGE SYSTEM

BENEFITS

- Makes installation more efficient and reduces field labor costs
- Enables lighter gage metal to be used for spiral pipe
- Provides additional stiffness and rigidity to your duct system
- Lets you use round pipe in conditions you couldn't before

FEATURES



Suitable for:

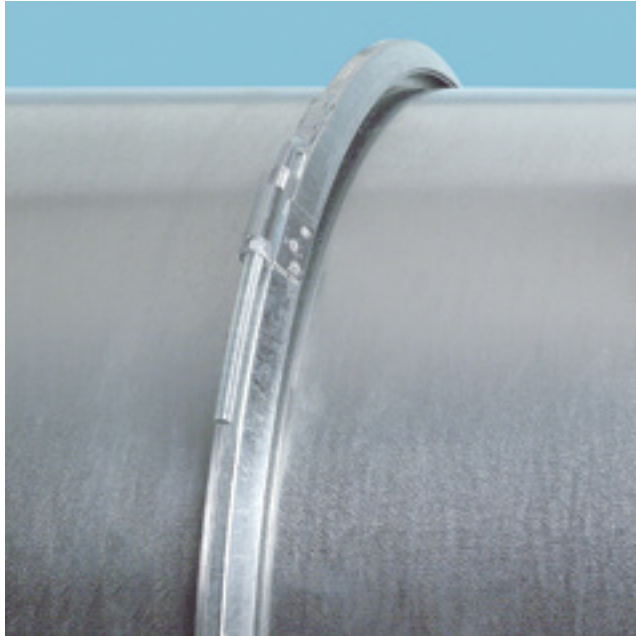
duct-Ø
8" - 118"

Not suitable for:

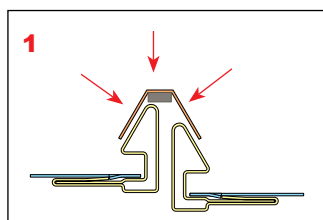
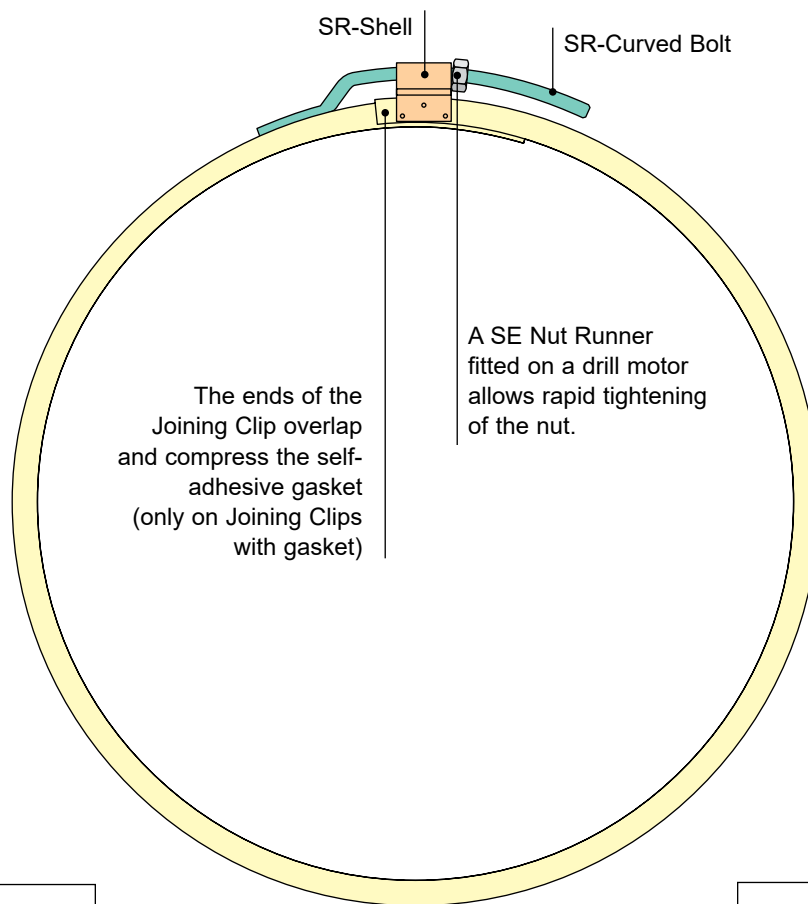
Dimensions:
(galvanized version)

There are three MF Circular Flange profile sizes:

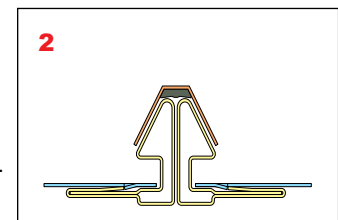
	MF 45 for duct-Ø 8" - 18"	MF 90 for duct-Ø 20" - 38"	MF 160 for duct-Ø 40" - 118"
A	.272"	.445"	.657"
B	.551"	.913"	1.339"
C	.787"	1.102"	1.654"
D	.039"	.047"	.079"
E	.197"	.315"	.433"



- **Joining Clips enable the assembly of MF Circular Flanges.**
- **Allows considerable cost savings thanks to the one-bolt system.**
- **Available with and without gasket.**
- **For round duct 8" to 118" in diameter.**

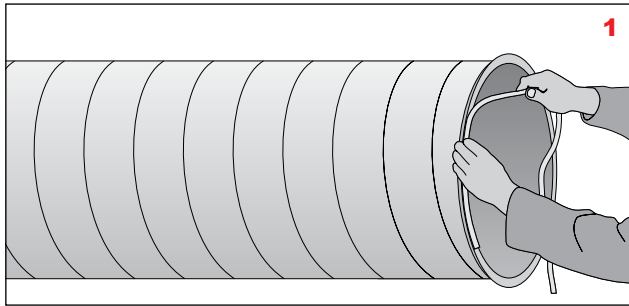


- When tightening the SR Joining Clip two forces apply:
1. a radial force centering the flanges, and
 2. an axial force pushing the flanges against one another.



SR JOINING CLIPS

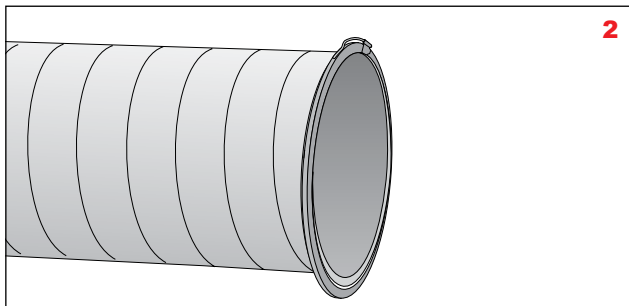
INSTRUCTIONS FOR JOINING (2) MF FLANGES



1

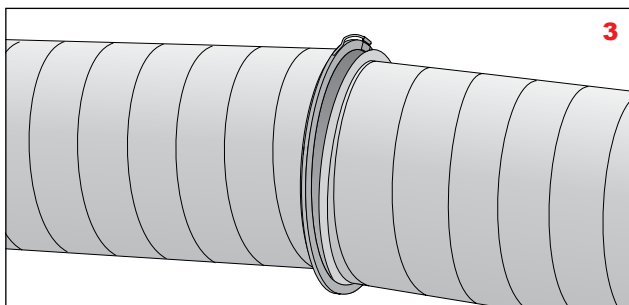
Only when SR Joining Clips without gasket are used, apply the gasket in the middle of the flange face as depicted on one of the mating flanges. The end of the gasket should butt up to the beginning.

Gasket comes in three sizes to accommodate round diameters from 8"-18", 20"-38" and 40"-118" and is available by the roll.



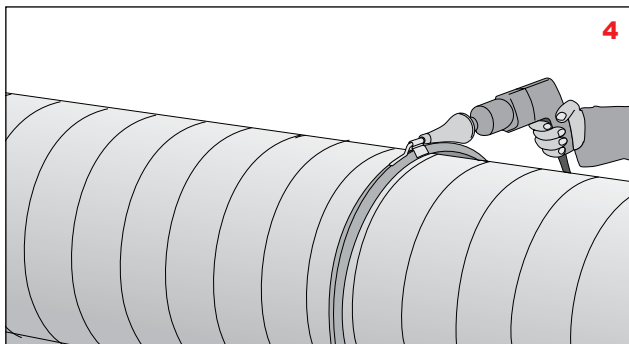
2

Take SR Joining Clip in your hand and back off nut until you are able to hang the SR Joining Clip over the flange. Note: Do not remove nut completely.



3

Insert the next duct section into the lower half of the SR Joining Clip. Continue to raise the opposite end of the duct joint until both flanges are parallel. If needed, METU-SYSTEM alignment grips can be used to assist in this alignment process, particularly handy in vertical duct runs.



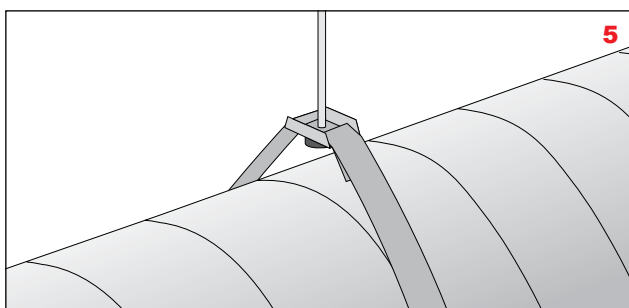
4

Finally tighten the SR Joining Clip using the correctly sized SE Nut Runner fitted on a drill motor.

Interrupt the tightening process several times and hammer the Joining Clip slightly with a rubber hammer to ensure a tight fit on the flanges.

Please note the max. torque figures of the nut:

SR 8-18	Galv.: 3-5 ft/lb	Stainless: 5 ft/lb
SR 20-38	Galv.: 12 ft/lb	Stainless: 14 ft/lb
SR 40-118	Galv.: 39 ft/lb	Stainless: 45 ft/lb



5

BA Duct Hanger Brackets enable secure and economical duct hanging using a single 3/8" rod and 1" hanger strap.

This product meets SMACNA standards for use on ducts up through 36" round when installed at a maximum of 12' spacing.

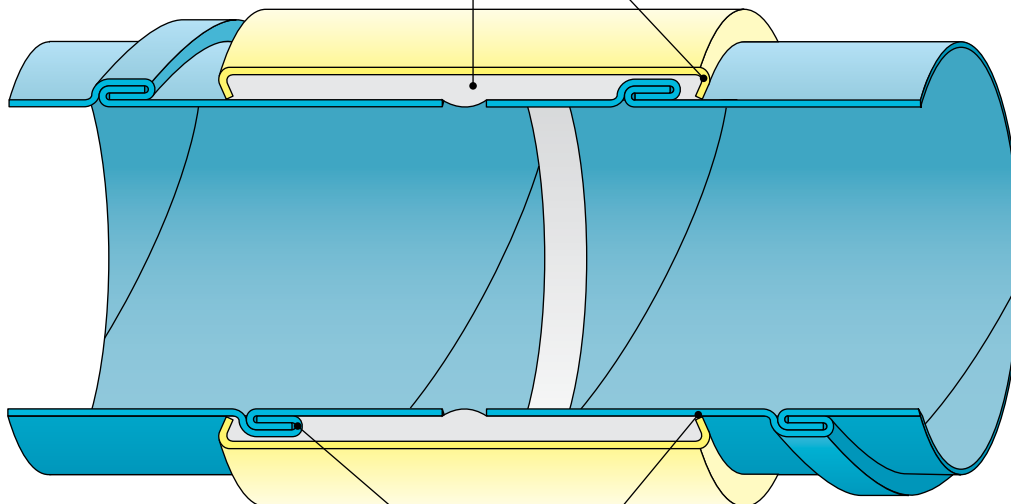
This product is also available with and without sound isolation.



- **Economical connection for small duct diameters.**
- **Great device for connecting to terminal units and exhaust air valves.**
- **No projections inside the duct.**
- **A one-bolt attachment system ensures a rapid and trouble-free assembly.**
- **Can be easily disassembled.**
- **No preparation of the duct ends necessary.**
- **For duct diameters from 3" to 16"***.

Standard gasket made of polyethylene foam.
Other gaskets for special requirements are available upon request

The rounded ends and the angled gasket facilitate the insertion of the duct.



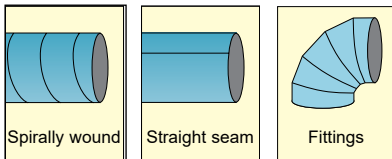
The gasket's elasticity completely seals even the external seam of spirally wound ductwork

When the MU Overcollar is tightened, the two ends of the ducting are clamped metal against metal.

(*) 14" and 16" Overcollars must only be used with heavy gauge duct systems as the tightening force of the Overcollar can cause the duct to collapse if the tightening torque is not closely adhered to.

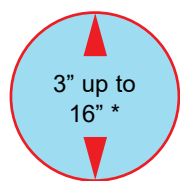
APPLICATIONS

Suitable for:



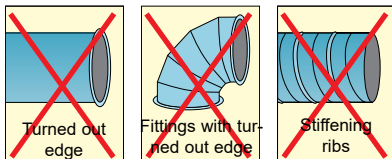
Spirally wound Straight seam Fittings

Duct-Ø



3" up to 16" *

Not suitable for:



Turned out edge Fittings with turned out edge Stiffening ribs

(*) 14" and 16" Overcollars must only be used with heavy gage duct systems as the tightening force of the Overcollar can cause the duct to collapse if the tightening torque is not closely adhered to.

Stability:
When the Overcollar is fully tightened, the ductwork is held rigid, both longitudinally as well as to impede deflection or bending.

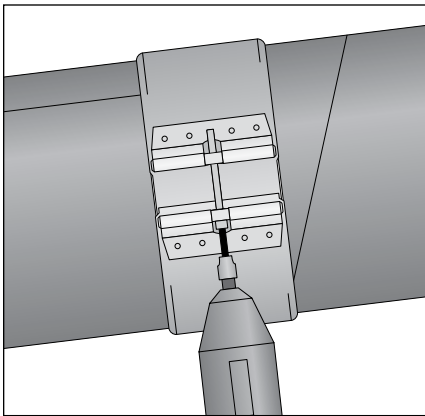
The tensile strength in the axial direction is very high. On a smooth duct wall of 4" duct-Ø for instance, 250 lbs. are necessary to separate the ducts. The separation force required is much higher for larger diameter ductwork and spirally wound ductwork. This rigidity is a fundamental benefit when compared with simple push-in connectors. It simplifies the installation of the ductwork while enabling considerable cost and time savings!

Air-tightness: Overcollars provide a simple, leak-free* connection for round ducts.

(*) There is a very small gap along one side of the duct seam on spirally wound ductwork which cannot be fully sealed by the gasket. To achieve higher air-tightness requirements just apply some mastic at this point along the seam.

Drag and noise:
Because the duct ends are embedded in the gasket there are no projections inside the duct which could hinder the air flow. Therefore noise and dirt accumulations are avoided.

INSTALLATION INSTRUCTIONS



Fitting the MU Overcollar is very simple:
Push both duct sections inside the Overcollar making sure that a distance between 1/4" (min.) and 1" (max.) is left between the duct ends. The insertion depth should be approximately the same for each duct section.

The Overcollar can be rotated before tightening the clamping bolt for esthetical or practical purposes.

Tighten the clamping bolt forcefully using a drill motor, power screwdriver or hand socket wrench until the peened over ends of the Overcollar are tight to the duct, metal to metal. The overcollar edges should be embedded into the duct seams.

Maximum torque: 4 ft/lbs



DUCTSHIELD



FOR THE PROTECTION OF DUCTWORK DURING STORAGE, TRANSPORT AND BUILDING CONSTRUCTION



- Works well on galvanized steel, stainless steel and aluminum.
- Withstands temperatures up to 140°F.
- Does not leave sticky residue on ductwork after removal.
- Available in three sizes, including extra wide 48".
- Environmentally friendly and fully recyclable!



Contact local authorities for conditions or restrictions regarding proper disposal of PE film

Illustration:

DuctShield comes in prepackaged 2', 3' and 4' rolls to make the most effective use of the protective material.

DuctShield is a high strength, full release, adhesive backed polyethylene film designed specifically for the HVAC Industry. Although it's uses are unlimited, its primary purpose is to protect the open ends of ductwork, fittings, and other HVAC products from hard to remove dirt and debris, which often accumulates prior to final installation

DuctShield has been tested to withstand a variety of weather conditions, and will not blow off during transportation to the job site

Tensile strength: $\geq 21.75 \text{ lb/in}^2$ (Additional technical specifications available upon request). For best results, duct surfaces should be clean and dry before application



A full 3.2 mil in thickness, it outclasses the competition in gauge and strength, yet is still soft and easy to apply

LIMITED PRODUCT WARRANTY

METU-STREIMER warrants DuctShield to be free from defects in materials or workmanship, under normal use and service only at the time of shipment from our facility. If the material is shown to be defective at the time of shipment, METU-STREIMER will replace or issue credit for the original purchase price. This limited warranty supersedes and is in lieu of all other warranties or guarantees whether written or oral, express or implied, including, without limitation, warranties for merchantability and fitness for a particular purpose.

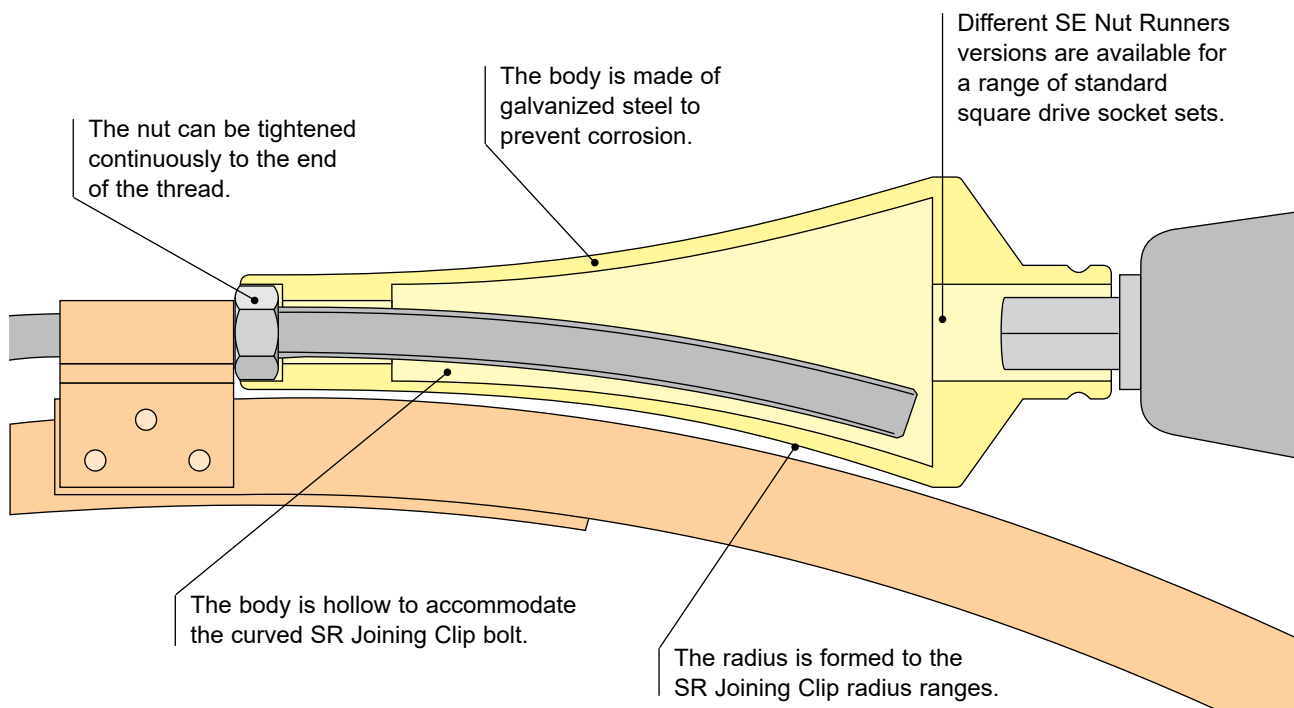
Because of the possibility of surface variances, quality, structural movement or externally caused damage, METU-STREIMER shall not be liable for any consequential, special, incidental or other damage including, but not limited to, loss of profits or damage to any surface to which DuctShield is applied. This limited warranty cannot be amended, altered or modified in any way except in writing signed by an authorized officer of METU-STREIMER. No other person has any authority to bind METU-STREIMER with any representation or warranty whether oral or written.

PRODUCT INFORMATION

Catalog No.	Name	Description	Unit	Width	Length	Cartons
PE2420032G	DuctShield	Polyethylene Film 24" x 200' x .0032" x Green	Rolls	24"	200'	1 / Per
PE3620032G	DuctShield	Polyethylene Film 36" x 200' x .0032" x Green	Rolls	36"	200'	1 / Per
PE4820032G	DuctShield	Polyethylene Film 48" x 200' x .0032" x Green	Rolls	48"	200'	1 / Per



- For the tightening of the SR Joining Clip bolt in a few seconds.
- The hollow body of the SE Nut Runner provides sufficient clearance for the curved SR Joining Clip bolt.
- Suitable for all commonly used electric and pneumatic tools.



ROUND CONNECTOR ACCESSORIES

ORDER RANGE

SKU	Catalog No.	Description
G0A3A-1002	SENTUTRUNNER-SM3/8	Nut Runner to Tighten SR Joining Clips – Small 8"-18" Round – 3/8" Chuck
G0A3A-1005	SENTUTRUNNER-MD3/8	Nut Runner to Tighten SR Joining Clips – Medium 20"-38" Round – 3/8" Chuck
G0A3A-1008	SENTUTRUNNER-LG/38	Nut Runner to Tighten SR Joining Clips – Large 40"-118" Round – 3/8" Chuck

ON A MISSION TO DELIVER
SOLUTIONS

STREIMER 

streimer.com

740 N Knott St, Portland, OR 97227 / info@streimer.com / (503) 288-9393